



**GAS TILTING
BRATT PANS**

**INSTRUCTION FOR INSTALLATION AND USE
DIE GEBRAUCHS UND INSTALLATIONSANWEISUNG
NOTICE D'INSTALLATION ET D'EMPLOI
INSTRUCTIE VOOR INSTALLATIE EN GEBRUIK
NÁVOD K OBSLUZE A INSTALACI**



BR 70/80 G, BR 70/80 G/N



www.rmgastro.com





CONTENT

Declaration of a standards conformity	3
Instruction for use	9
Cleaning and maintenance	11

INHALT



Die Normenübereinstimmungsdeklaration	12
Gebrauchsanweisung	20
Die Reinigung und Instandhaltung	22

CONTENU



Déclaration de conformité	23
Mode d'emploi	30
Nettoyage et entretien	32

INHOUD



De verklaring van overeenstemming met de normen	33
Gebruiksaanwijzing	42
Reiniging en onderhoud	45

OBSAH



Prohlášení o souladu s normami	49
Návod k použití	58
Čistění a údržba	60

DECLARATION OF A STANDARDS CONFORMITY

The producer confirms that the devices agree with 2016/426/EU, 2014/30/EU, 2014/35/EU standards, rule nr. 22/1997 sb., nr. 258/2000 sb., nr. 258/200 sb., nr. 118/2016 sb., 117/2016 sb. and with relevant government orders. Installation must be done with respect to valid standards. Attention, the producer refuses any responsibility in case of direct or indirect damages which are caused due to wrong installation, incorrect intervention or modification, insufficient maintenance, incorrect use and also possibly caused by other reasons presented by items in sale conditions. This appliance is set only for skilled use and must be operated by qualified persons only. Parts set and secured by the producer or accredited person must not be rebuilt by user.

TECHNICAL DATA

Label with technical data is placed on the back side of the device. Study the electrical diagram of connection and all following information before installation.

Type of product	Bath tilting	Material of bath bottom	Volume (l)	Power (kW)	Dimensions	Ignition
BR 70/80 G	manual	steel	50	12	800x806x1040	piezzo
BR 70/80 G/N	manual	stainless steel	50	12	800x806x1040	piezzo

	9,45 kWh/m ³ G20 NATURAL GAS (20,25)mbar	8,12 kWh/m ³ G25 NATURAL GAS (20,25)mbar	12,68 kWh/kg G30 BUTAN (30)mbar	12,87 kWh/kg G31 PROPAN 37mbar
Nozzle of main burner 1/100mm	310	310	175	210
Nozzle of pilot burner 1/100mm	51	51	30	30
Nozzle overpressure - full power (mbar)	9	13,5	26	16
Air control setting (mm)	25	11	10	31
Gas consumption	1,27	1,477	0,946	0,932

PACKING AND DEVICE CHECK

The device leaves our stocks properly packed with appropriate symbols and labels. There are also appropriate instructions for use. In case the packing shows bad handling or damage, it must be reclaimed at transporter immediately by writing and signing of a damage protocol.

Important notice:

-This product is only intended for use inside.

Never use the appliance if it has a damaged supply cable or plug, if it is not working correctly, has fallen to the ground and been damaged or fallen into water. In such cases take the appliance to a professional service in order to verify that it is safe and works correctly.

- only for professional use
- this instructing guide must be read properly and carefully because it contains important information about safety elements, installation, use
- these recommendations refer to this product
- this product corresponds with valid standards
- this guide must be properly deposited for future use
- keep the children away from manipulation with the product
- when selling or moving the product to another place it is necessary to make yourself sure that the staff or the professional service has got acquainted with control and installation instructions from enclosed guide
- only authorised person can operate the product
- it can not be switched on without supervision
- we recommend to have the product checked by professional service min. once a year

PLACEMENT

The device must be installed in well ventilated room what is necessary for regulation of the function of the device (technician must go by valid standard (EN....)). If the device is situated close to the wall or if it is in contact with the furniture walls, these walls must resist the temperatures ranging to 90°C. Installation, setting, putting into operation must be done by qualified person who is competent for this and according to the valid standards.

Wrap up the device and check whether it was not damaged during transport. Settle the device on horizontal surface (max imbalance 2°). Settle the device under the fumehood to eliminate water steam and bad smell. The device can be installed separately or in a set with devices of our production. Min. distance 10 cm from other subjects must be kept. It is also necessary to prevent our product from contact with combustible materials. In this case you must make corresponding changes to secure heat isolation of combustible parts. Safety measures from the standpoint of the fire protection according to EN 061008čl. 21:

TECHNICAL INSTRUCTIONS FOR INSTALATION AND REGULATION

Important:

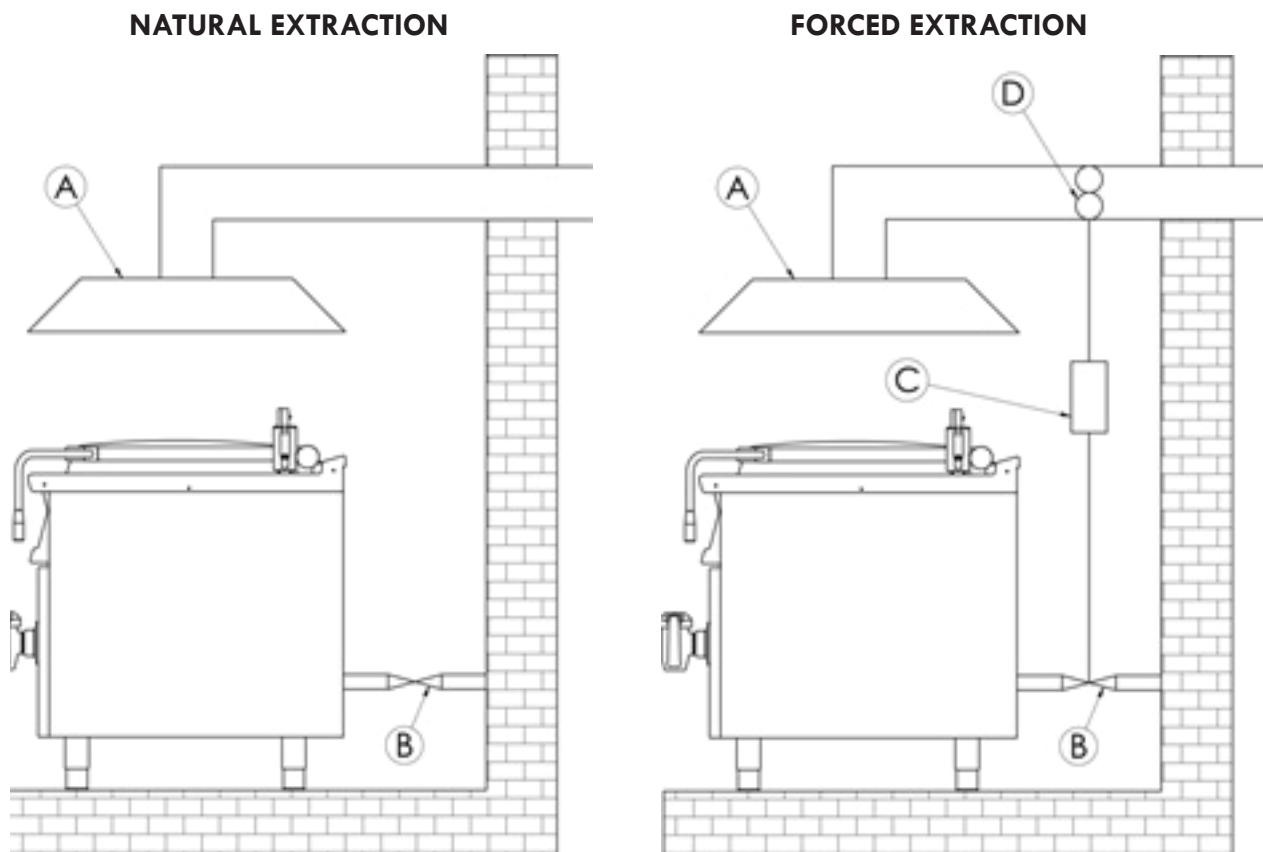
The manufacturer does not provide warranty for defects caused by improper use, failure to instructions contained in the attached instructions for use and mistreatment of the appliances.

Installation, adjustment and repair of appliances for kitchens, as well as their removal because of possible damage to the gas can be carried out only under a maintenance contract, this contract may be signed with an authorized dealer, and must be complied with regulations and technical standards and regulations regarding the installation, power supply, gas connection and health & safety system.

These instructions are intended for the qualified technician who must perform the installation, put it into operation and test the appliance.

Any activity as settings, placement, rebalancing etc, must be made only when is device disconnected from electricity. If it is necessary to have the device connected to the electricity you must keep the highest attention to avoid any injuries.

CHIMNEY DESIGN FOR AN APPLIANCE –TYPE A



Outlet hood with natural extraction (A). Flue gas provides a natural chimney draft.

Outlet hood without natural extraction. Flue gas is secured by a fan (D) (forced extraction). In this case, it is necessary to secure the connection with a gas feeder (B) to turn off the gas supply in case of failure.

SAFETY MEASURES FROM THE STANDPOINT OF THE FIRE PROTECTION ACCORDING TO EN 061008 ČL. 21

- only adults can operate the device
- device must be safely used in common surroundings according to EN 332000-4-462; EN 332000-4-42. You must switch the gas device off under the circumstances leading: to the danger of the temporary rise of the combustion gas or steam or during works when there is a big possibility of rise of the temporary fire danger or explosion (for example: to stick linoleum, PVC etc.).
- before you start to instal the device you must get the licence for connection to the gas feeder from the gasworks
- device must be placed so as to stand or hang on the noncombustible surface which is on each side 10 cm larger than the device. No subjects from combustible materials can be placed directly on the device or in distance which is shorter than safety distance (the shortest distance is 50 cm in the direction of the heat emission and 10 cm in other directions).- safety distances from various materials of different degree of combustion and information about the degree of comb. of common building materials - see chart:

Chart:

Combustion degree of building materials classified according to the combustion degree of materials and products (EN 730823)

A noncombustible	granit, sandstone, concretes,bricks, ceramic wallfacing tiles, plaster
B uneasily combustible	akumine, heraklite, lihnos, itavere
C1 hardly combustible	leafy wood, plywood, sirkoklit, rare paper formica
C2 middle combustible	fibreboards, solodure, cork boards, rubber,floor-coverings
C3 easily combustible	wood-fibreboards, polystyrene,polyurethane, PVC

Devices must be instalated in a safe way. When instaling you must respect corresponding project, safety and hygienic orders according to:


CONNECTION OF THE ELECTRIC CABLE TO THE ELECTRICITY

Instalation of electric feeder - This feeder must be separetely protected by a safety fuse according to the specific electric stream which depends on the wattage of the instaled device. Check the wattage on the label at the back of the device. Connect the device directly to the electricity but you must put the switch between the device and electric net. The switch must be placed in min. distance 3 mm between the particular contacts according to the standards and loading. The feeder of grounding (yellow-green) cannot be interrupted by this switch. In every case feeding cable must be placed so that no point of the cable will reach the temperature which is 50°C higher than the temperature of the surrounding. Before connecting the device check that:

- safety fuse of the feeder and inner mains can stand the loading of the device (see label of the matrix)
- mains are equipped with effective grounding according to standards (ČSN) and conditions given by law
- socket or switch of the feed is well accessible from device

We refuse any responsibility in case of not respecting above mentioned rules. Before the first use it is necessary to remove all the protection foil and to clean the device - see chapter „cleaning and maintenance“.

Maintenance: We recommend to have the device checked once a year by the proffesional service. Only qualified or competent persons can do interventions in the product.

-  -Do not insert the power cable plug into the el. socket and do not pull it out of the el. socket with wet hands or by pulling on the cable!
- Do not use extension cables or power strips.

WATER CONNECTION

Water connection is performed with hose threaded G1/2. The water supply must be equipped with a separate valve which is freely available and within range of the device. The equipment includes a check valve.

- Water hardness must be in range 0,5 - 5 ° French degree.

IF HIGHER, IT IS NECESSARY USE WATER SOFTENING SYSTEM.

- Water pressure must be within range 50 - 250kPa.
- Volume of chlorine in the water shall not be higher than 10ppm, or you risk bath surface damage
- Acidity of water must be higher than 7 pH.
- Electrical conductivity: 50 - 2000uS/cm (20°C)
- The connection must be made according to directive EN 1717 and with valid to national directives for aquaculture.

PIPE FOR GAS CONNECTION

It must first determine if the appliance is made for the same type of gas that will be used and thus conforms to the indications on the label the type of gas to be used.

The conversion of gas pan to another type of gas you need to check if it corresponds to the type of gas bearing, which is recommended in this guide.

Connecting the appliance to the gas distribution must be towable to a steel or copper tube complying with applicable national requirements. This must be controlled on regular basis and changed if needed. Every appliance must be equipped with shut-off valve and quick shut-off valve. Quick shut-off valve must be freely accessible and within reach of the device. After installation, is necessary to check whether there is a gas leak. To find a gas leak you can use soapy water or spray for gas leak detection.

Do not use corrosive substances!! All our appliances are carefully controlled. Gas type, pressure and of the categories listed named on the technical information plate.

Liquid gas connection:

Pressure for liquid gas connection must be 28 or 30 mbar for propane/butane and 37 mbar for propane. It is necessary to check the technical label ,gauge the pressure and check the parameters of the nozzle is installed with the required parameters of the nozzle according to the manufacturer's. If the pressure is lower than 25mbar or higher than 37 mbar, THE APPLIANCE SHALL NOT TO BE CONNECTED.

Gas Connection:

Pressure for methane connection must be 18 or 20 mbar. It is necessary to check the technical label ,gauge the pressure and check the parameters of the nozzle is installed with the required parameters of the nozzle according to the manufacturer's. If the gas pressure is lower than 15mbar or higher than 22,5 mbar, THE APPLIANCE SHALL NOT TO BE CONNECTED.

MEASURES FOR THE REBUILDING AND INSTALLING A DIFFERENT TYPE OF GAS

Our appliances are certified and regulated the natural gas (see technical plate). Conversion or adaptation to a different type of gas must be performed by authorized personnel. Nozzles for different types of gas are in a bag provided with the pan and are marked in hundredths of mm (table of technical data pipes).

Nozzle replacement:

For nozzle replacement, front panel must be removed. After release M5 bolt insert air regulation (Fig. 3, note 2), with wrench no.13 unscrew original nozzle (Fig.3, note 3) and screw back new nozzle. Then is necessary set new value for air regulation (Fig.3, dimension "A"). Dimensions for gas are shown in table of technical specifications for burners. Also is necessary get change nozzle of pilot burner (Fig.4, note 5).

With wrench no.10 you need disassembly pipe for pilot burner and eject out. The nozzle is located among last part of the pipe and pilot burner.

After the exchange and re-mounting supply pipes, it is necessary to check out the sealing of connections.

Pressure adjustment:

Pressure is measured with a manometer with the required sensitivity. Connect manometer after unscrewing air sealed bolt into required location (Fig.5, note 8). Pressure adjustment screw is accessible after removing the cap (Fig.5, note 5). The pressure is set to the value given in the table of technical data burner (page 10). After the measurement is necessary to screw the bolt back and check the sealing.

Important:

After what was done adjusting the appliance to another type of gas, it is necessary to change the gas indicated on the technical plate located in a visible location on the side of the device.

Commissioning and device check

- After connecting the device on the gas, water and electricity, the entire installation and operation of the device must be tested
- Particularly check the following: - Check that all connections have been made by the installation instructions presented - Check that are observed and complied with all applicable standards and health & safety regulations and legislation and guidelines - Check appliance for gas leak - Check tightness of inlet water - Check ignition burners - Check the stability of the flame - In case of change of equipment to another type of gas modify the identification gas tag which is located below the gas inlet.

INSTRUCTION FOR USE

Attention!

Before the first use of the appliance you must remove protection foil, wash the device and bath with water containing washing liquid and then dry with the cleaning cloth. Into the bottom of the bath spread a vegetable oil and begin burning procedure by 230° of Celsius. Before you start cooking, it is necessary make this burning procedure. The optimum is about 3–5 days use appliance as frying pan, and then for cooking. If pans washing was done by chemical substances, we recommend to use about 4-6 cycles as frying pan before you start cooking in it again. The device cannot be used under any circumstances as a fryer or its substitute

Ignition the main burner:

With lighter:

Slide the door on the left front panel and turn gas valve control knob to the ignition position (Fig.2, note 3 and Fig.6) and keep it pressed. Press the piezo lighter button couple of times. After burner ignition, keep this button pressed for few second (about 10-20 sec.) until is the thermo fuse warmed up, then release button. If the flame goes out, repeat the whole procedure again.

With electric burning:

Slide the door on the left front panel and turn gas valve control knob to the ignition position (Fig.2, note 3 and Fig.6) and keep it pressed. Flame will ignite automatically. After burner ignition, keep this button pressed for few second (about 10-20 sec.) until is the thermo fuse warmed up, then release button. If the flame goes out, repeat the whole procedure again.

Ignition of the main burner and thermo regulation

Turn gas valve control knob to the ignition position (Fig.6) and set button of thermostat to required temperature. Main burner will ignite.

Switching off of the main burner

The main burner is possible switch off with turning thermostat button to "0" position, or turning the gas valve control knob to ignition position. Main burner will go out, but pilot burner keeps working.

Switching off the whole device

Set the gas valve control knob to position off. At this moment all burners goes out.

Filling water to the bath

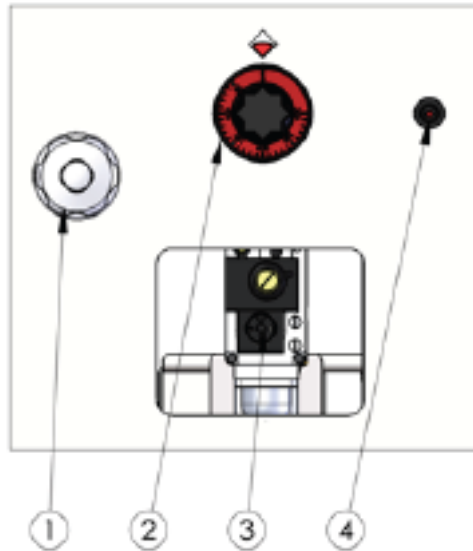
Open valve for water filling and when achieve required volume of the water, simply close it. Water fills up only when the lid of the bath is open.

Draining of the bath

Tilt the bath to required position for her drain with help of the manipulation handle. Attention! Before you start draining of the bath, attach under overflow suitable container. Keep maximum attention if you will be manipulating with boiling content. After successful bath draining, return it back to operation position.

ATTENTION!

When tilting the bath, main burner goes out, but automatically starting when returning bath into operation position. Because of this, make sure before you start draining of the bath, that main burner is switched off.

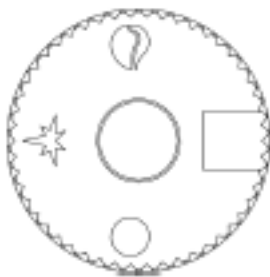


1 – water filling

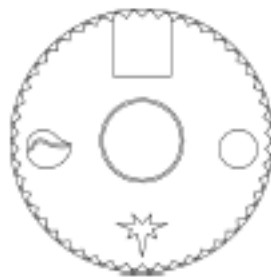
2 – Thermostat control knob

3 – gas valve control knob

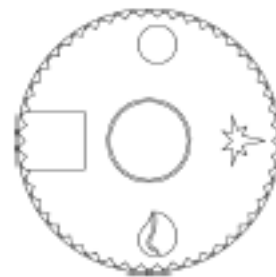
4 – piezo lighter button



Switched off position



Ignition position



Ignition position for main burner

SYSTEM OF BATH TILTING

For manual tilting follow the instructions bellow:

System of bath tilting

For manual tilting follow the instructions bellow:

- 1) Under overflow put suitable and heatproof container
- 2) Make sure, that you let cool down content after frying
- 3) On the control wheel, tilt manipulating handle
- 4) for lifting up and draining, circle with control wheel to right, to bring the bath back into operation position, circle with control wheel to left
- 5) Try to do lifting up and draining of the bath as smooth as possible to avoid excess vibrating of the bath

Never pour oil off the bath at frying temperature. Keep maximum attention while manipulating the bath and its content, some components of the bath could be very hot even the content was cooled.

When you do electric tilting, observe the above warnings and use this button instead of handles. Lift up pan with up arrow, with down arrow return pan to the basic position

CLEANING

ATTENTION!

The device cannot be cleaned by direct or pressure water. Clean it daily. Daily maintenance keeps longer useful life and efficiency of the device. Before cleaning make sure to have disconnected the device from electricity. Always switch off the main feeder to the device. Stainless steel parts wash with moist cleaning cloth and detergent without groove parts, then dry it with the cloth. Do not use abrasive and corrosive detergents; do not splash it with running water. Do not try to remove the Dark thin layer on the bottom of the bath, it does creating protective layer of the surface. After washing treat bottom of the bath with vegetable oil. When all cleaning procedures finished, return all back in to basic position. In the case of longer time of appliance unused, leave the lid open to maintain airflow.

- In case of outage:

- Immediately shut down water inlet, gas feeder and disconnect from electricity

- **In case of longer outage, we recommend clean the bath and mothball the bottom bath with oil**

MAINTENANCE AND PRODUCT WARRANTY

By prolonged use of the appliance, it is necessary maintain regular maintenance for safe use, we strongly recommend sign contract with technical service. Maintenance can be provided only with qualified technician following updated directives, laws and instructions from this manual. We recommend having the appliance serviced by professional service at least once in 6 month, in extreme use of the appliance once in 3 months. Preventive inspections can prevent serious problems and thereby reduce the economic burden of operations.

ATTENTION

Warranty does not cover all consumption parts succumb able to wear (rubber, seals, bulbs, glass and plastic parts etc.) Also guarantee does not refer to the devices which were not installed in correspondence with instructions, tampering or violation the rules of use. Damages caused due to influence of nature or other outer intervention is not covered by our warranty policy too.

In case of breakdown:

Shut off the gas feeder immediately, disconnect from electricity and call professional service organisation. By prolonged outage shut off main gas valve.

The manufacturer assumes no responsibility for injury or property damage arising from failure to comply with health& safety regulations or to use the device for purposes other than intended.

Instructions for disposal:

Our product's packing is made on non-polluting materials, therefore compatible with the environment and recyclable. Please help by disposing of the packing correctly. Find the addresses of collection, recycling and disposal centre from your retailer or from the competent local organization. Do not throw the packing or any part of it away. They can constitute a suffocation hazard for children.

Your old appliance also needs to be disposed off correctly. Hand over your appliance to the local agency authorized for the collection of electric or gas appliances no longer in use. Correct disposal means intelligent recycling of valuable materials. It is also necessary to cut the interconnecting cable to the power supply network, removing it along with the plug.

DIE NORMENÜBEREINSTIMMUNGSDEKLARATION

Der Produzent erklärt, daß die Geräte in einer Übereinstimmung mit den Vorschriften der 2009/142/ES, 2014/30/ES, 2014/35/ES dem Gesetz Nr. 22/1997 sb., nr. 258/2000 sb., nr. 38/2001 sb., nr. 616/2006 sb., 17/2003 sb. der Sammlung und zugehörigen Regierungsverordnungen stehen. Die Installation muss mit der Absicht auf geltende Normen durchgeführt werden. Vorsicht, im Falle einer direkten oder indirekten Beschädigung, die sich auf falsche Installation, unrichtigen Eingriff oder Anpassungen, ungenügende Instandhaltung, unrichtige Verwendung beziehen, und welche eventuell durch andere Ursachen, als in Punkten der Verkaufsbedingungen angeführt ist, so verzichtet der Importeur auf jegliche Verantwortung. Dieses Gerät ist nur für fachliche Verwendung bestimmt und muß durch qualifizierte Person bedient werden. Teile, die nach der Einstellung durch den Hersteller oder durch befugte Person gesichert wurden, dürfen vom Benutzer keineswegs umgestellt werden.

DIE TECHNISCHEN DATEN

Das Schild mit technischen Angaben ist auf der Rückseite des Gerätes angebracht. Studieren sie vor der Installation das elektrische Schema der Einschließung und alle folgende Informationen durch.

Type	Bad kippen	Material von bad grund	Volumen (l)	Macht (kW)	Größe	Zündung
BR 70/80 G	manual	steel	50	12	800x806x1040	piezzo
BR 70/80 G/N	manual	stainless steel	50	12	800x806x1040	piezzo

	9,45 kWh/m ³ G20 NATURAL GAS (20,25)mbar	8,12 kWh/m ³ G25 NATURAL GAS (20,25)mbar	12,68 kWh/kg G30 BUTAN (30)mbar	12,87 kWh/kg G31 PROPAN 37mbar
Düse des Hauptbrenners 1/100mm	310	310	175	210
Düse des Zündbrenners 1/100mm	51	51	30	30
Düsenüberdruck - volle Leistung (mbar)	9	13,5	26	16
Einstellung der Luftregulierung (mm)	25	11	10	31
Gasverbrauch	1,27	1,477	0,946	0,932

DIE VERPACKUNGS-, UND VORRICHTUNGSKONTROLLE

Die Vorrichtung verlässt unsere Lager in ordentlicher Verpackung, auf deren die entsprechenden Symbole und Bezeichnungen stehen. In der Verpackung befindet sich entsprechende Bedienungsanweisung. Falls die Verpackung eine schlechte Behandlung oder Anzeichen der Beschädigungen vorweist, muß dieses sofort beim Transporteur reklamiert werden und zwar durch Unterzeichnung eines Schadensprotokolles.

Wichtige Hinweise

-Das Erzeugnis ist nur zur Verwendung im Innenraum bestimmt.

Verwenden Sie den Verbraucher nie, wenn die Speisezuleitung oder der Stecker beschädigt sind, das Gerät nicht richtig arbeitet, ist auf den Boden gefallen und hat sich beschädigt oder ist ins Wasser gefallen. Bringen Sie in solchen Fällen den Verbraucher zu einem Fach-Kundendienst zur Überprüfung seiner Sicherheit und richtiger Funktion.

- Nur für professionellen Verbrauch geeignet
- Diese Bedienungsanleitung muss ordentlich und bedächtig gelesen werden, weil sie wichtige Informationen über Sicherheitsmerkmale, Installation und Anwendung beinhaltet
- Diese Empfehlungen beziehen auf diesen Produkt
- Der Produkt entspricht geltenden Normen
- Diese Anleitung muß ordentlich für die zukünftige Verwendung hinterlegt werden
- Hindern Sie den Kinder an Vorrichtungsm Manipulation
- Beim Verkauf oder Verlegung ist es notwendig sich zu überzeugen, daß die Bedienstperson oder Fachservis sich mit der Beherrschung und Installationsanweisung in beiliegender Anleitung, anvertraut gemacht haben.
- Das Produkt darf nur eingeschulte Bedienung bedienen
- Das Produkt darf nicht ohne Aufsicht ins Betrieb gesetzt sein
- Es ist empfohlen, minimal einmal pro Jahr eine Fachkontrolle durchführen zu lassen
- Bei eventueller Reparatur der Teilenumtauschungen müssen ausschließlich Originalteile angewendet werden
- Das Produkt darf nicht durch einen Wasserstrahl oder Druckbrause gereinigt werden
- Schalten Sie alle Leitungen (Wasser, Elektrizität, Gas) bei einer Störung oder beim schlechten Lauf aus und rufen Sie autorisierten Service an
- Der Hersteller verzichtet auf jegliche Verantwortung bei Störungen, die durch fehlerhafte Installation, Nichteinhaltung o.a. Empfehlungen, andere Verwendung u.ä, verursacht wurden

DIE PLATZIERUNG

Es ist unbedingt notwendig, zu der Regulation der Gerätetätigkeit, daß das Milieu - der Küche -, wo das Gerät installiert wird, sehr gut belüftbar ist (im Hinblick darauf: sei der Techniker sich mit geltenden Normen (EN) richtet). Wenn die Einrichtung so plaziert wird, daß sie im Mobiliarwandkontakt stehen wird, so müssen diese einer Temperatur von 90°C widerstehen. Die Installation, Herrichtung, Inbetriebnahme müssen durch qualifizierte Person, die zu solchen Vorkehrungen eine Befugnis hat und dies laut geltenden Normen nach, durchgeführt werden.

Packen Sie das Gerät aus und kontrollieren Sie, ob sich das Gerät während des Transportes nicht beschädigt hat. Platzieren Sie das Gerät auf eine waagrechte Fläche (maximale Unebenheit bis 2°). Stellen Sie das Gerät unter den Haubenabzug, damit Sie die Wasserdämpfe und den Geruch eliminieren. Das Gerät kann selbständig oder in einer Reihe mit Geräten unserer Herrstellung installiert werden. Es ist notwendig die minimale Entfernung von 10 cm zu anderen Gegenständen einzuhalten, so dass die Wärmeisolierung der brennbaren Teilen gewährleistet wird.

Das Gerät kann selbständig oder in einer Reihe mit Geräten unserer Herrstellung installiert werden. Es ist notwendig die minimale Entfernung von 10 cm zu anderen Gegenständen einzuhalten, so dass die Wärmeisolierung der brennbaren Teilen gewährleistet wird.

TECHNISCHE HINWEISE ZUR INSTALLATION UND REGELUNG

Wichtig:

Zur Benützung AUSSCHLIEßLICH nur für spezialisierte Techniker
Instruktionen, die folgen, wenden sich an den Techniker, der für die Installation qualifiziert ist, damit er alle Operationen mit der korrektesten Weise und laut der gültigen Normen durchführt.

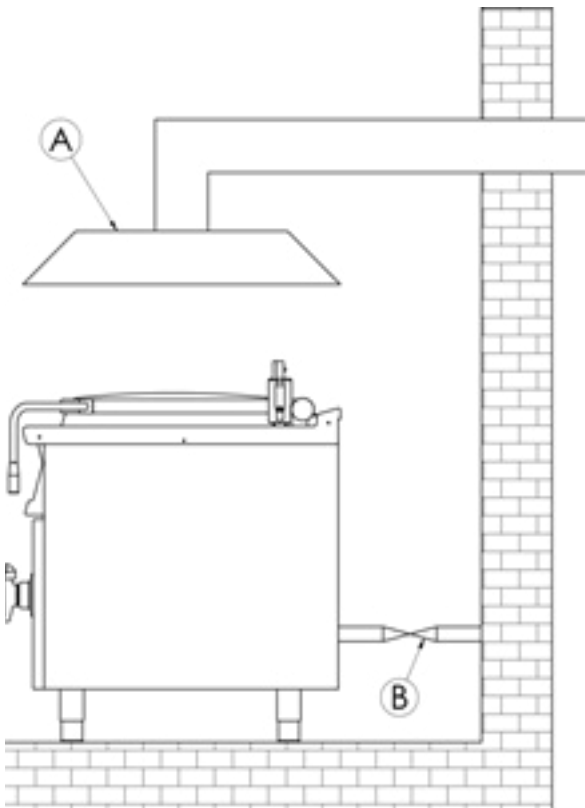
Wichtig

Jeweils irgendeine Tätigkeit, die mit der Regulation verbunden ist u.ä, muß nur mit der aus dem Netz ausgezogenen und abgeschalteten Einrichtung vollgezogen sein.

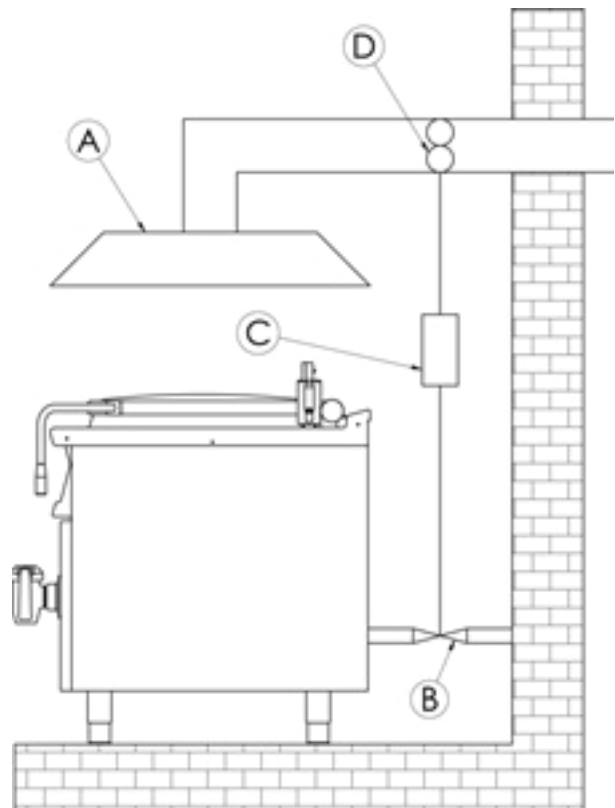
Solange das Gerät unter der Spannung notwendig zu halten ist, eine höchste Vorsicht zu beachten vorliegt.

KAMIN-DESIGN FÜR EIN GERÄT VOM TYP A

NATURAL EXTRACTION



ABSAUGANLAGE



Outlet Kapuze mit natürlichen Extraktion (A). Rauchgas sorgt für einen natürlichen Kaminzug.

Outlet Haube ohne natürliche Extraktion. Rauchgas wird durch einen Ventilator (D) (erzwungene Extraktion) gesichert. In diesem Fall ist es erforderlich, die Verbindung mit einer Gaszuführung (B), um die Gaszufuhr bei Ausfall zu sichern.

DIE SICHERHEITSVORRICHTUNGEN AUS DER SICHT DES FEUERSCHUTZES LAUT EN. 061008 ČL. 21

Die Einrichtungsbedienungen dürfen nur Erwachsene ausführen

- Das Gerät darf sicher in gewöhnlicher Umgebung laut EN 332000-4-482; EN 332000-4-42 verwendet werden.
- Es ist notwendig das Gerät so platzieren, daß es auf einer unbrennbaren Grundlage steht oder hängt.
- Es dürfen, auf und in eine Entfernung, die kleineremase als sicher vom Gerät bezeichnet wird, keine Gegenstände aus brennbaren Materilien (die kleinste Entfernung vom Brennbarem ist 10 cm) aufgestellt werden.
- Die sicheren Entfernungen von Massen der einzelnen Brenngra

Tabelle:

Baumassefeuerbrenngrad ins Brenngrad (EN) der Massen und Produkte eingegliedert

A	Unbrennbar	Granit, Sandstein, beton, Ziegel, Keramikbekleidung, Putz
B	nicht einfach brennbar	Akumin, Heraklit, Lihnos, Itaver
C1	schwer brennbar	Holz, Laubbaum, Furnier Sirkoklit, Festpapier, Umakart
C2	mittel brennbar	Holzspanplatten, Solodur, Korkplatten, Hartgummi, Bodenbeläge
C3	leicht brennbar	Holzfasernplatten, Polystyren, Polyureten, PVC

Die Bedarfsartikel müssen sicher installiert werden und sind mit regulierenbaren Beinchen - zur Ausgleichen der Höhe und der Unebenheiten eingestattet.

Die Geräte müssen in einer sicheren Weise installiert werden. Bei der Installation müssen weiter betreffende Projekt-, Sicherheits-, und Hygienevorschriften respektiert werden.

- EN 06 1008 Feuerschutz der örtlichen Geräte und der Wärmquellen
- EN 33 2000 (33 2000-4-482; 33 2000-4-42) Umgebung für elektrische Geräte
- Gasversorgung -Gasleitungen in Gebäuden - Höchste Verkehrsdruck ≤ 5 BarVerkehrsansprüche,
- § 10 des Gesetzes Nr.185/2001 Sb., der Abfälle betrifft.

DER ELEKTRISCHE KABELNETZANSCHLUSS

Die Installation der elektrischen Ankupplung - Diese Zuleitung muß selbstständig gesichert werden. Und das durch entsprechende Sicherung des Nennstromes in der Abhängigkeit am Anschlußwert des installierten Gerätes. Kontrollieren sie den Anschlußwert des Apparates auf dem Produktionsschild im Hinterteil des Gerätes. Schließen Sie das Gerät direkt ans Netz an.

Es ist unbedingt notwendig zwischen das Gerät und das Netz einen Schalter zu legen, der eine minimale Entfernung von 3mm unter den Einzelkontakten aufweist und der auch den geltenden Normen und Belastungen entspricht. Die Erdungszuleitung (gelbgrün) darf nicht durch diesen Schalter unterbrochen sein.

Der Zuleitungskabel muß in jedem Fall so angebracht sein, dass er in keinem Punkt einer um 50°C höherer Temperatur als Umgebungstemperatur nicht erreicht. Eher das Gerät ans Netz angeschlossen wird, versichern Sie sich, dass:

- die Zuleitungssicherung und die Innenscheidung die Einrichtungsbelastung ertragen (siehe Matriceschild),
- die Verteilung mit wirksamer Erdung laut Normen (EN) und Gesetzbedingungen ausgestattet ist

WIR VERZICHTEN AUF JEDLICHE VERANTWORTUNG IM FALLE, DASS DIESE NORMEN NICHT RESPEKTIERT WERDEN UND IM FALLE DER NICHTEINHALTUNG DER OBENERWÄHNTER GRUNDSÄTZE.

Es ist notwendig die Schutzfolie vor der ersten Benützung zu beseitigen, sowie das Gerät zu reinigen siehe das Kapitel „Reinigung und Instandhaltung“.



-Führen Sie den Stecker der Speisezuleitung in die el. Steckdose und ziehen ihn aus der el. Steckdose mit nassen Händen und durch Ziehen der Speisezuleitung nicht!

-Verwenden Sie keine Verlängerungskabel oder Kombisteckdosen.

WASSERANSCHLUSS

Der Wasseranschluss erfolgt mit Hilfe eines Schlauchs mit einem Gewinde G1/2. Der Anschluss erfolgt nach dem Abnehmen der vorderen Platte (Abb. 1). Die Wasserzufuhr ist mit einem eigenständigen Hahn zu besetzen, der frei zugänglich und in Reichweite der Anlage ist. Bestandteil der Anlage ist ein Rückschlagventil.

- Die Wasserhärte muss im Bereich von 0,5 – 5 ° französische Grade liegen.

OBERHALB DIESES WERTES IST EIN WEICHMACHER ZU VERWENDEN.

- Der Wasserdruck muss im Bereich von 50 – 250 kPa liegen.
- Der Chlorgehalt im Wasser darf nicht höher als 10 ppm sein, andernfalls droht eine Beschädigung der Wannenoberfläche.
- Der Säuregehalt des Wassers muss über 7 pH liegen.
- Elektrische Leitfähigkeit: 50 – 2000 uS/cm (20 °C)
- Der Anschluss muss im Einklang mit EN 1717 sowie mit den geltenden nationalen Wasserwirtschaftsvorschriften stehen.

ROHR FÜR GASANSCHLÜSSEN

Es muss zuerst feststellen, ob das Gerät für die gleiche Art von Gas, das verwendet werden soll, wird und entspricht damit den auf dem Etikett die Art des Gases verwendet werden.

Die Umwandlung von Gas Pflanze auf eine andere Gasart müssen Sie überprüfen, ob es auf die Art der Gas-Lager, die in diesem Handbuch empfohlen wird, entspricht.

Anschließen des Gerätes an die Gasversorgung muss Anhängelast auf einer Stahl-oder Kupferrohr Beachtung der geltenden nationalen Anforderungen. Dies muss regelmäßig kontrolliert werden und bei Bedarf geändert. Jedes Gerät muss mit Absperrventil und schnelle Absperrventil ausgestattet sein. Schnell-Absperrventil muss frei zugänglich sein und innerhalb der Reichweite des Gerätes. Nach der Installation ist zu prüfen, ob es ein Gas austritt. Um ein Gasleck Sie Seifenwasser oder Spray zur Lecksuche können zu finden.

Verwenden Sie keine ätzenden Stoffen! Alle unsere Geräte werden sorgfältig kontrolliert. Gasart, Druck und der Kategorien auf der technischen Informationen Platte benannt.

Flüssiggas-Anschluss:

Der Druck für Flüssiggas-Verbindung muss 28 oder 30 mbar für Propan / Butan und 37 mbar für Propan sein. Es ist notwendig, um die technische Etikett überprüfen, messen den Druck und Kontrolle der Parameter der Düse wird mit den erforderlichen Parametern der Düse gemäß der Herstellerangaben installiert. Ist der Druck niedriger als 25mbar oder höher als 37 mbar, darf das Gerät nicht ANZUSCHLIESSEN.

Gas-Anschluss:

Der Druck für die Methan-Anschluss muss 18 oder 20 mbar betragen. Es ist notwendig, um die technische Etikett überprüfen, messen den Druck und Kontrolle der Parameter der Düse wird mit den erforderlichen Parametern der Düse gemäß der Herstellerangaben installiert. Wenn der Gasdruck niedriger ist als 15 mbar oder höher als 22,5 mbar, darf das Gerät nicht ANZUSCHLIESSEN.

MASSNAHMEN FÜR DEN UMBAU UND DIE INSTALLATION AUF EINE ANDERE GASSORTE

Unsere Geräte sind für Erdgas zertifiziert und reguliert (siehe Typenschild). Ein Umbau oder eine Anpassung auf einen anderen Gastyp hat lediglich durch einen berechtigten Techniker zu erfolgen. Die Düsen für die unterschiedlichen Gastypen finden sich in der der Pfanne beigelegten Tüte und sind in Hundertstel mm gekennzeichnet (Tabelle der technischen Daten der Brenner).

Austausch der Düse:

Für einen Austausch der Düse ist die vordere Platte abzumontieren, nach dem Lösen der Schraube M5 die Luftregelung (Abb. 3, Pos. 2) einzuschieben und mit dem Schlüssel 13 die ursprüngliche Düse (Abb. 3, Pos. 3) herauszuschrauben und die neue anzuschrauben. Danach ist die Luftregelung auf den neuen Wert (Abb. 3, Maß „A“) einzustellen. Die Maße für das entsprechende Gas sind in der Tabelle der technischen Daten der Brenner angegeben.

Ferner ist die Düse des Pilotbrenners (Abb. 4, Pos. 5) auszutauschen. Mit dem Schlüssel 10 wird das Zuleitungsrohr zum Pilotbrenner abmontiert und herausgeschoben. Zwischen dem Ende des Rohrs und dem Pilotbrenner ist die Düse untergebracht. Nach ihrem Austausch und dem Zurückmontieren des Zuleitungsrohrs ist die Dichte der Verbindung zu kontrollieren.

Einrichten des Drucks:

Der Druck wird mit einem Druckmesser mit der erforderlichen Empfindlichkeit gemessen. Der Druckmesser wird nach dem Abschrauben der Schraube mit dem luftdichten Abschluss an die entsprechende Stelle (Abb. 5, Pos. 8) angeschlossen. Die Stellschraube des Drucks ist nach der Demontage der Abdeckung (Abb. 5, Pos. 5) zugänglich. Der Druck wird auf den in der Tabelle der technischen Daten der Brenner (S. 10) angegebenen Wert eingestellt. Nach Abschluss der Messung ist die Schraube zurückzuschrauben und deren Dichte zu kontrollieren.

Wichtig:

Nachdem die Einrichtung des Geräts auf einen anderen Gastyp erfolgt ist, ist die Änderung des Gases auf dem Schild des Geräts zu kennzeichnen.

Inbetriebnahme und Kontrolle des Betriebs:

- nach dem Anschluss des Geräts an die Zufuhr ist das Gerät, die gesamte Installation und der Betrieb des Geräts zu überprüfen

insbesondere ist zu kontrollieren:

- kontrollieren, dass alle Anschlüsse entsprechend der beiliegenden Installationsanleitung erfolgten
- kontrollieren, ob alle geltenden Normen und Sicherheitsvorschriften sowie die gesetzlichen Vorschriften und Richtlinien eingehalten und erfüllt wurden
- die Geräte wegen einer Gasleckage kontrollieren
- die Dichte der Wasserzufuhr kontrollieren
- das Anzünden der Brenner kontrollieren
- die Beständigkeit des Brennens der Flamme kontrollieren
- Im Fall einer Änderung der Anlage auf eine andere Gassorte das Gasidentifikationsschild, das stets unter der Gaszufuhr (Abb. 1 G) angebracht ist, ändern

GEBRAUCHSANWEISUNG

Achtung!

Bevor Sie beginnen, das Gerät zu verwenden, ist von der gesamten Oberfläche die Schutzfolie vom Edelstahlblech zu entfernen und dieses dann gründlich mit Geschirrspülwasser einschließlich der Wanne zu waschen und danach mit einem in reinem Wasser angefeuchteten Lappen abzureiben. Reiben Sie die Wanne mit einem Geschirrtuch trocken, bestreichen Sie den Boden der Wanne mit Tafelöl und nehmen Sie das Ausbrennen des Bodens bei einer Temperatur von 230 °C vor. Vor dem Kochen sind das Einbraten des Bodens und dessen Einziehen vorzunehmen. Optimal ist es, ca. 3 bis 5 Tage in der Pfanne zu braten und sie erst danach zum Kochen zu benutzen. Sofern die Pfanne chemisch gereinigt wurde, ist es günstig, vor dem Kochen erneut ca. 4 bis 6 Bratzyklen vorzunehmen. Das Gerät darf unter keinen Umständen als Fritteuse oder deren Ersatz verwendet werden!

Anzünden des Hauptbrenners

Ausführung mit einem Piezozünder

Schieben Sie die Klappe links nach unten auf die vordere Platte und drehen Sie den Bedienknopf des Gasventils in die Position Zünden (Abb. 2, Pos. 3 und Abb. 6) und halten Sie ihn gedrückt. Drücken Sie mehrmals den Knopf des Piezozünder. Nach dem Anzünden des Brenners halten Sie den Knopf noch einige Sekunden (ca. 10 - 20 Sekunden) gedrückt, bis sich die Thermosicherung erhitzt, danach lassen Sie den Knopf los. Wenn die Flamme erlischt, wiederholen Sie das gesamte Vorgehen.

Ausführung mit einer elektrischen Zündung

Schieben Sie die Klappe links nach unten auf die vordere Tafel und drehen Sie den Bedienknopf des Gasventils in die Position Zünden (Abb. 2, Pos. 3 und Abb. 6) und halten Sie ihn gedrückt. Die Flamme zündet sich automatisch an. Nach dem Anzünden des Brenners halten Sie den Knopf noch einige Sekunden (ca. 10 - 20 Sekunden) gedrückt, bis sich die Thermosicherung erhitzt, danach lassen Sie den Knopf los. Wenn die Flamme erlischt, wiederholen Sie das gesamte Vorgehen.

Anzünden des Hauptbrenners und Regelung der Temperatur

Drehen Sie den Bedienknopf des Gasventils in die Position für das Anzünden des Hauptbrenners (Abb. 6) und stellen Sie auf dem Regelknopf des Arbeitsthermostats die gewünschte Temperatur ein. Es kommt zum Anzünden des Hauptbrenners.

Ausschalten des Hauptbrenners

Der Hauptbrenner kann entweder durch Einstellen des Regelknopfes des Arbeitsthermostats auf "0" oder durch Drehen des Bedienknopfes des Gasventils in die Position für das Anzünden ausgeschaltet werden. Der Hauptbrenner erlischt stets und lediglich der Pilotbrenner brennt weiter.

Ausschalten des gesamten Geräts

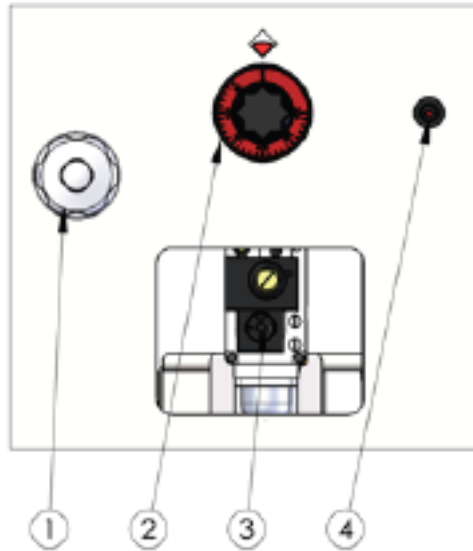
Stellen Sie den Bedienknopf des Gasventils in die Position aus. Es kommt zum Erlöschen aller Brenner.

Einlassen von Wasser in die Wanne

Öffnen Sie den Hahn für das Einlassen der Wanne und schließen Sie diesen nach dem Einlassen der benötigten Menge wieder. Lassen Sie das Wasser lediglich bei geöffnetem Wannendeckel ein.

Auslassen der Wannenföüllung

Mit Hilfe des Bedienungsgrads kippen Sie die Pfanne in die benötigte Position für ihr Auslassen. VORSICHT! Stellen Sie vor dem Auslassen der Wanne ein geeignetes Gefäß unter den Überlauf. Lassen Sie beim Umgang mit heißem Inhalt maximale Vorsicht walten. In der maximalen Position der Wanne kommt es zu ihrem vollständigen Auslassen. Führen Sie die Wanne nach ihrem Ausgießen in die Arbeitsposition zurück.

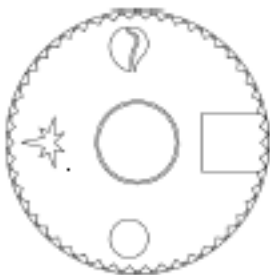


1 – Wasserfüllung

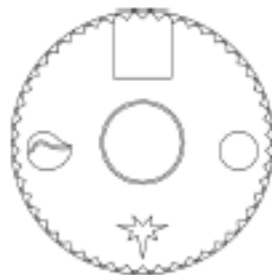
2 – Thermostat drehknopf

3 – gasventil drehknopf

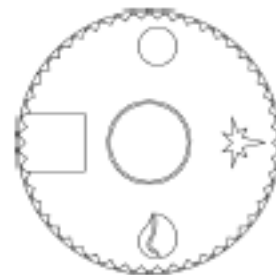
4 – Piezo FeuerzeugKnopf



Ausgeschaltet Position



Zündstellung



Zündstellung für Hauptbrenner

KIPPSYSTEM DER WANNE

Beim manuellen Kippen der Wanne gehen Sie folgendermaßen vor:

- 1) Stellen Sie unter die Stelle des Ausflusses ein ausreichend großes, temperaturbeständiges Gefäß.
- 2) Lassen Sie den Inhalt der Wanne nach dem Braten abkühlen.
- 3) Klappen Sie am Bedienungsrad den Betätigungsgriff heraus.
- 4) Beginnen Sie, das Rad nach rechts zu drehen, um die Wanne zu heben, und nach links, um die Wanne zu senken.
- 5) Führen Sie das Heben so flüssig wie möglich aus, damit die Wanne nicht in Schwingungen versetzt wird.

Hinweise:

Gießen Sie Öl niemals bei Frittieretemperatur aus der Wanne aus. Lassen Sie beim Umgang mit der Wanne und ihrem Inhalt maximale Vorsicht walten, einige Bestandteile können auch nach dem Abkühlen des Inhalts heiß sein.

Beachten Sie beim motorbetriebenen Kippen die oben angeführten Hinweise und verwenden Sie diese Taste anstelle des Griffs, wobei der Pfeil nach oben das Kippen und der Pfeil nach unten die Rückkehr der Pfanne in die Grundposition bedeutet:

Achtung!

Niemals heißes Öl ausleeren. Bei der Arbeit mit dem Tiegel ist höchste Vorsicht angebracht. Manche Bestandteile können auch nach Auskühlen des Gehaltes heiss sein.

Beim Motorauskippen oben genannte Hinweise beachten.



REINIGUNG

Achtung!

Die Einrichtung darf nicht durch Wasserstrahl oder Druckwasser gereinigt werden. Das Gerät muss man täglich reinigen, tägliche Reinigung verlängert die Lebensdauer des Gerätes sowie auch seine Wirksamkeit. Vor Reinigung ist das Gerät vom Strom abzuschalten, das Gerät soll auch von der Hauptzuleitung abgechaltet werden. Rostfreie Teile mit Waschlappen reinigen, anschließend mit geeigneten Spülmittel durchspülen und austrocknen. Keine Korrosions- und Abrasionsmittel benutzen.

Die Innenfläche des Tiegels 28i teinem gewöhnlichen Schwamm und handelsüblichen Spülmittel reinigen (keine Metallgegenstände). Eine dunkle schwache Schicht auf dem Tiegelboden nicht abschürfen, die bildet eine Schutzschichte. Nach Reinigung den Tiegelboden mit Öl einstreichen.

Nach Reinigung den Tiegel in die Ursprungslage positionieren mit geöffneten Deckel um eine gute Luftzirkulation zu gewährleisten.

Beim langfristigen Stillstand:

Wasser- und Stromzuleitung abschliessen

Den Tiegel reinigen und den Boden mit Öl konservieren

INSTANDHALTUNG UND GARANTIEBEDINGUNGEN

Bei langfristiger Benutzung ist für eine sicheres Arbeiten eine regelmässige Instandhaltung erforderlich. Wir empfehlen das Abschliessen eines Servicevertrages. Nur autorisierte Techniker können die Instandhaltung durchführen, wie die Vorschriften und Normen aus der Anleitung beachten. Empfehlenswert ist eine Kontrolle alle 6 Monate durchzuführen bzw. Bei grosser Belastung alle 3 Monate. Durch preventive Kontrollen kann man eventuellen Mängeln vorbeugen und damit den Nutzeffekt erhöhen.

Achtung!

Die Garantie bezieht sich nicht auf alle Bestandteile, welche einer üblichen Abnutzung unterliegen (Gummidichtungen, Birnen, Glas- und Plastikteile usw.) Die Garantie bezieht sich auch nicht auf das Gerät, wo die Installation nicht im Einklang mit den Anweisungen durchgeführt wurde – von einem autorisierten Servicetechniker laut der entsprechenden Normen und falls mit dem Gerät unfachmännisch manipuliert wurde, oder von nicht geschulten Personen und in Widerspruch zu der Anweisungen bedient wurde, weiter bezieht sich die Garantie nicht auf Beschädigung von Natureinflüssen oder von anderen Aussenangriffen.

Hinweise für Störfall

Sofort die Strom- und Wasserzuleitung abschalten, einen Service anrufen und keinesfalls mit dem Gerät irgendwie manipulieren. Der Hersteller nimmt keine Verantwortung für Verletzungen und Eigentumsschaden, die aufgrund der Nichteinhaltung von Sicherheitsvorschriften oder der Benutzung zum anderen als bestimmten Zweck entstanden sind.

Hinweise für Entsorgung:

Die Verpackung des Gerätes muss im Einklang mit Vorschriften ordnungsgemäss entsorgt werden. Das Gerät muss einer autorisierten Organisation, die mit dem Einsammeln von elektrischen Geräten beauftragt ist, übergeben werden.

DÉCLARATION DE CONFORMITÉ

Le fabricant certifie la conformité des appareils aux normes 2009/142/ES, 2014/30/ES, 2014/35/ES à la loi n° 22/1997 sb., 258/2000 sb., 258/2000 sb., 616/2006 sb., 17/2003 sb. et aux décrets applicables. L'installation doit être effectuée dans le respect des normes en vigueur. Attention: le fabricant décline toute responsabilité en cas de dommages, directs ou indirects, causés par une mauvaise installation, par une utilisation, des interventions ou des modifications impropres, par un entretien insuffisant, ainsi qu'en cas de dommages dérivant des causes mentionnées dans les conditions de vente. L'appareil objet de la présente notice est prévu pour un usage professionnel, aussi son utilisation doit-elle être confiée à un personnel possédant les compétences nécessaires à cet effet. L'utilisateur ne doit procéder à aucune intervention ni à aucune modification sur les parties réglées et protégées par le fabricant ou autre personnel autorisé à cet effet.

CARACTÉRISTIQUES TECHNIQUES

L'étiquette sur laquelle figurent les caractéristiques techniques est apposée sur la partie postérieure de l'appareil. Avant de procéder à l'installation, prendre connaissance du schéma électrique et de toutes les informations que contient la présente notice.

Type de produit	Inclinaison de bain	Matériel de sale de bain en bas	De Volume (l)	Le pouvoir (kW)	Dimensions (cm)	Allumage
BR 70/80 G	manual	steel	50	12	800x806x1040	piezzo
BR 70/80 G/N	manual	stainless steel	50	12	800x806x1040	piezzo

	9,45 kWh/m ³ G20 NATURAL GAS (20,25)mbar	8,12 kWh/m ³ G25 NATURAL GAS (20,25)mbar	12,68 kWh/kg G30 BUTAN (30)mbar	12,87 kWh/kg G31 PROPAN 37mbar
Buse du brûleur principal 1/100mm	310	310	175	210
Buse du brûleur pilote 1/100mm	51	51	30	30
Surpression de la buse - pleine puissance (mbar)	9	13,5	26	16
Réglage du contrôle de l'air (mm)	25	11	10	31
Consommation de gaz	1,27	1,477	0,946	0,932

CONTROLE DE L'EMBALLAGE ET DE L'APPAREIL

En vue de son transport, l'appareil quitte les établissements du fabricant parfaitement emballé (sur l'emballage sont apposés les étiquettes et les symboles nécessaires à cet effet). L'emballage contient également la notice des instructions d'utilisation. Dans le cas où l'emballage présenterait des dommages ainsi que dans le cas où il s'avérerait qu'il a été manipulé sans les précautions nécessaires, il est impératif d'adresser sans attendre une déclaration au transporteur en y joignant une acceptation de la marchandise sous réserve.

Recommandation importante:

-Le produit est destiné uniquement à un usage intérieur.

N'utilisez jamais cet appareil si le cordon ou la fiche sont endommagés, si l'appareil fait défaut, s'il a été échappé ou endommagé ou immergé. Dans ce cas, retournez cet appareil au centre service autorisé pour examen.

- Pour usage professionnel seulement
- La présente notice des instructions d'utilisation et d'entretien contient d'importantes informations relatives à la sécurité, à l'installation et à l'utilisation; il est nécessaire d'en effectuer attentivement la lecture.
- Les recommandations se réfèrent à l'appareil objet de la présente notice.
- L'appareil est conforme aux normes en vigueur.
- Veiller à bien conserver la notice de telle sorte qu'elle puisse être consultée à tout moment en cas de besoin.
- Ne pas laisser des enfants s'approcher de l'appareil durant son utilisation.
- Pendant la vente ou après le déménagement de l'appareil vérifier que le personnel lise attentivement la présente notice d'utilisation
- L'appareil ne peut être utilisé que par le personnel instruit
- L'appareil ne peut être laissé en marche sans surveillance
- Il est recommandé de faire l'appareil contrôler au moins une fois par an dans un service spécialisé
- Ne pas utiliser que des pièces détachées originelles.
- En cas de défaut ou de mauvaise fonction, débrancher l'appareil (eau, gaz, électricité) et appeler un service spécialisé
- Le fabricant décline toute responsabilité en cas de dommages, directs ou indirects, causés par une mauvaise installation, utilisation, etc

LA LOCATION

Le local dans lequel l'appareil est installé doit être bien ventilé. Si l'appareil doit toucher le parois, celui-ci doit résister à la chaleur de 90°C au minimum. L'installation, le réglage et la mise en marche doivent être effectués par une personne qualifiée ayant une autorisation nécessaire selon les normes en vigueur.

Déballez l'appareil et vérifiez s'il n'était pas endommagé pendant le transport. Placez l'appareil sur une surface horizontale (pente maximale de 2°). Placez l'appareil sous une hotte pour éliminer la vapeur et mauvaise odeur.

L'appareil peut être installé seul ou en série avec d'autres appareils de notre fabrication. Il faut respecter la distance minimale de 10 cm entre l'appareil et d'autres objets ainsi qu'éviter le contact avec les matériaux inflammables. Dans ce cas il faut prévoir les arrangements nécessaires pour assurer la protection des parties inflammables.

INSTRUCTIONS TECHNIQUES POUR INSTALLATION ET REGLEMENT

Important:

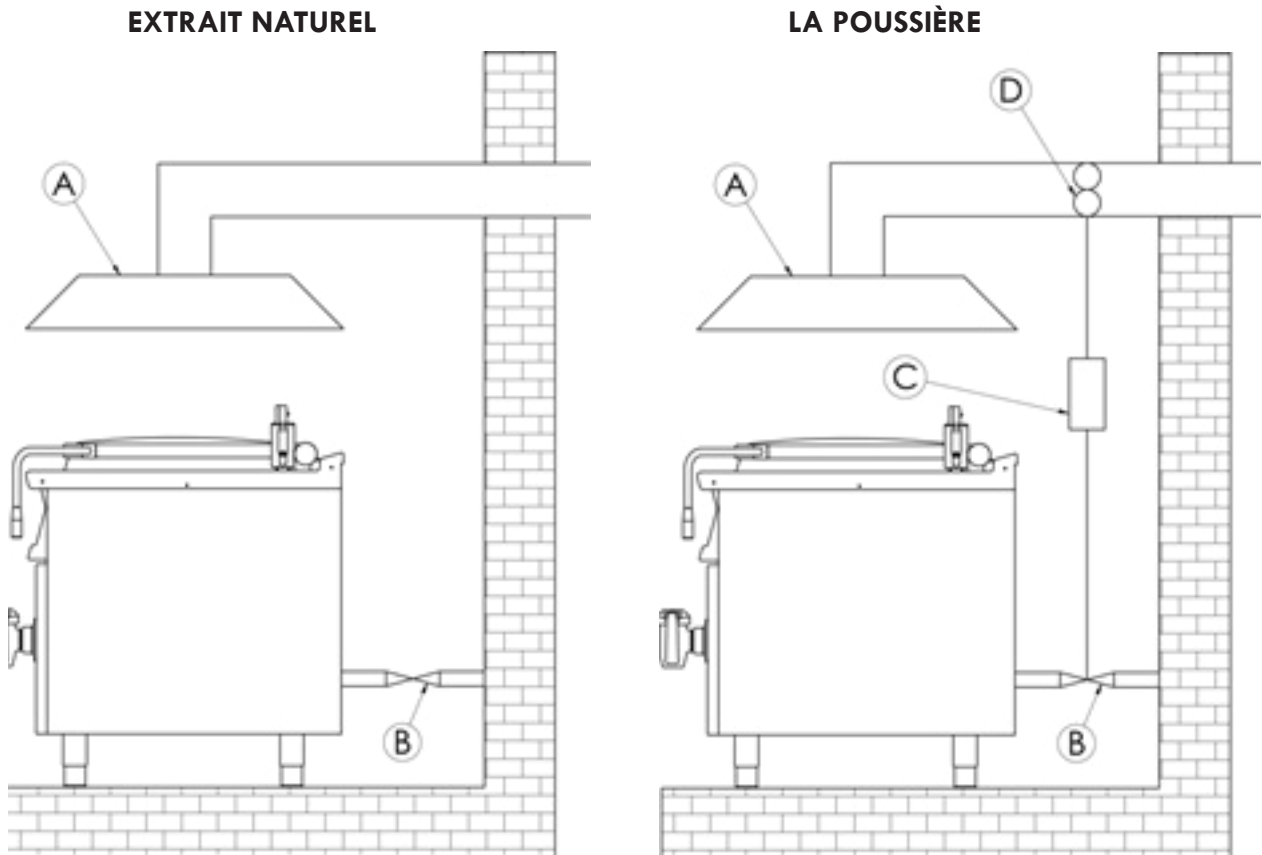
Le fabricant ne fournit pas de garantie pour les défauts causés par l'usage, tout manquement impropre aux instructions contenues dans les instructions ci-jointes pour l'utilisation et aux mauvais traitements des appareils.

Installation, réglage et réparation d'appareils pour les cuisines, ainsi que leur élimination en raison de dommages possibles au gaz peut être effectuée qu'en vertu d'un contrat de maintenance, ce contrat peut être signé avec un distributeur agréé, et doivent être conformes à la réglementation technique et normes et réglementations concernant l'installation, l'alimentation, de raccordement de gaz et de la santé et la sécurité du système.

Ces instructions sont destinées au technicien qualifié qui doit effectuer l'installation, le mettre en marche et tester l'appareil.

Toute activité en tant que paramètres, le placement, le rééquilibrage etc, doit être faite que lorsqu'il est périphérique déconnecté de l'électricité. Si il est nécessaire d'avoir le périphérique connecté à l'électricité, vous devez garder la plus grande attention afin d'éviter toute blessure.

CHEMINÉE POUR LA CONCEPTION D'UN DISPOSITIF DE TYPE A



Hotte aspirante avec extraction naturelle (A). Gaz de combustion fournit un tirage de la cheminée naturelle.

Bouchon à la sortie sans extraction naturelle. Des gaz de combustion est assurée par un ventilateur (D) (extraction forcée). Dans ce cas il faut assurer la connexion avec une alimentation en gaz (B) à l'alimentation en gaz en cas de défaillance.

MÉSURES DE SÉCURITÉ POUR LA PROTECTION CONTRE INCENDIE SELON EN 06 1008 ARTICLE 21:

- l'appareil ne peut être utilisé que par des personnes majeures
- l'appareil peut être utilisé dans un espace ordinaire selon EN 332000-4-482; 332000-4-42
- l'appareil doit être placé ou suspendu d'une manière stable sur une surface ininflammable

Il est interdit de placer sur l'appareil ou dans la distance inférieure à 10 cm de l'appareil des objets inflammables.

- les distances de sécurité pour les matériaux inflammables selon leurs degré d'inflammabilité et les informations sur l'inflammabilité des matériaux de construction – voir le tableau

Tableau:

degré d'inflammabilité d'un matériel de construction (EN 730823)

A ininflammables	granit, grès, béton, briques, carrelage céramique, enduit
B difficilement inflammables	acumin, héraclite, lihnos, itaver
C1 mal inflammables	bois des arbres feuillus, contre-plaqué, papier durci, umakart
C2 inflammabilité moyenne	aggloméré, solodur, liège, caoutchouc, revêtements
C3 inflammabilité facile	planches de fibre de bois, polystyrène, polyurethane, PVC

L'appareil doit être installé d'une manière sûre. Pour l'ajustage de l'appareil est ce-ci procuré des pieds réglables.

- EN 06 1008 protection contre incendie des consommateurs d'énergie locaux et des émetteurs de chaleur
- EN 33 2000 (33 2000-4-482; 33 2000-4-42) le milieu pour les appareil électriques

BRANCHEMENT ÉLECTRIQUE

Installation de prise de courant – La prise de courant doit avoir un coupe-circuit indépendant en dépendance de puissance fournie de l'appareil. Vérifiez la puissance de l'appareil sur la plaque des caractéristiques techniques.

Branchez l'appareil directement au réseau, il faut mettre un interrupteur entre le réseau et l'appareil, son ouverture de contacts étant 3 mm au minimum. Câble de terre (vert-jaune) ne peut pas être interrompu par cet interrupteur. En tout cas, le câble de prise de courant doit être placé de telle manière que sa température ne dépasse jamais la température du milieu de plus que 50°C. Avant le branchement au réseau, s'assurer que :

- le coupe-circuit et distribution intérieure peuvent endurer la charge de l'appareil (voir la plaque)
- la mise à la terre fonctionne selon les normes en vigueur (EN) et selon la loi
- la prise ou l'interrupteur de circuit sont faciles d'accès

Le fabricant rénonce à toute responsabilité en cas que les normes ne seront pas respectés ainsi qu'en cas de dérogation des règles mentionnés ci-haut.

Avant la première utilisation, il faut retirer le film de protection et nettoyer l'appareil – voir chapitre « nettoyage et entretien ».

Entretien:

Il est recommandé de faire contrôler l'appareil dans un service spécialisé au moins une fois par an. Toutes les interventions peuvent être effectuées seulement par une personne qualifiée ayant une autorisation pour ces interventions.

LE RACCORDEMENT DE L'EAU

Le raccordement de l'eau est effectué à l'aide d'un tuyau d'arrivée avec filetage G1/2. Le raccordement est réalisé après avoir retiré le panneau avant (image 1). L'arrivée de l'eau doit être équipée d'une fermeture indépendante, librement accessible et à portée de l'installation. Une soupape de retenue fait partie de l'équipement.

- La dureté de l'eau doit se situer entre 0,5 et 5 ° en degrés français.

AU-DESSUS DE CETTE VALEUR, UN ADOUCISSEUR DOIT ÊTRE UTILISÉ.

- La pression de l'eau doit se situer entre 50 et 250kPa.
- La teneur en chlore de l'eau ne doit pas être supérieure à 10ppm, afin de ne pas endommager la surface de la cuve.
- L'acidité de l'eau doit être supérieure à 7 pH.
- Conductibilité électrique : 50 – 2000 uS/cm (20°C)
- Le raccordement doit être conforme à la norme EN 1717 et aux règlements nationaux en vigueur pour la gestion des eaux.

TUYAU D'AMENÉE DU GAZ

Il faut d'abord déterminer si l'appareil est fait pour le même type de gaz qui sera utilisé et est donc conforme aux indications figurant sur l'étiquette du type de gaz utilisé.

La conversion de la poêle à gaz à un autre type de gaz, vous devez vérifier si elle correspond au type de palier à gaz, ce qui est recommandé dans ce guide.

Connexion de l'appareil à la distribution de gaz doit être tractable à un tube d'acier ou de cuivre se conformer aux exigences applicables nationales. Ce doit être contrôlée sur une base régulière et changé si nécessaire. Chaque appareil doit être équipé d'un robinet d'arrêt et rapide robinet d'arrêt. Rapide robinet d'arrêt doit être librement accessible et à portée de main de l'appareil. Après l'installation, est nécessaire pour vérifier s'il ya une fuite de gaz. Pour trouver une fuite de gaz, vous pouvez utiliser de l'eau savonneuse ou un spray pour la détection de fuite de gaz.

Ne pas utiliser de substances corrosives! Tous nos appareils sont soigneusement contrôlés. Type de gaz, la pression et des catégories énumérées le nom figure sur la plaque de l'information technique.

Raccordement au gaz liquide:

La pression de gaz pour le raccordement de liquide doit être 28 ou 30 mbar pour le propane / butane et 37 mbar pour le propane. Il est nécessaire de vérifier l'étiquette technique, d'évaluer la pression et vérifier les paramètres de la buse est installé avec les paramètres requis de la buse selon les indications du fabricant. Si la pression est inférieure à 25mbar ou supérieure à 37 mbar, l'appareil doit ne pas être connecté.

Raccordement au gaz:

Pression pour la connexion du méthane doit être 18 ou 20 mbar. Il est nécessaire de vérifier l'étiquette technique, d'évaluer la pression et vérifier les paramètres de la buse est installé avec les paramètres requis de la buse selon les indications du fabricant. Si la pression du gaz est inférieure à 15mbar ou supérieur à 22,5 mbar, l'appareil doit ne pas être connecté.

MESURES POUR LA RECONSTRUCTION ET L'INSTALLATION POUR UN AUTRE TYPE DE GAZ

Nos appareils sont certifiés et réglés pour le gaz naturel (voir plaque signalétique). La reconstruction ou l'adaptation à un autre type de gaz doit être réalisée seulement par un technicien agréé. Les buses pour les différents types de gaz se trouvent dans un petit sachet, emballé avec la marmite, et elles sont indiquées en centièmes de mm (tableau des données techniques des brûleurs).

Le remplacement de la buse :

Le remplacement de la buse exige le démontage du panneau avant. Après avoir desserrer la vis M5, déplacez la régulation de l'air (image 3, note 2) et avec une clé de 13 dévissez la buse d'origine (image 3, note 3) et vissez une nouvelle buse. Il faut ensuite ajuster la régulation de l'air à la nouvelle valeur (image 3, cote „A“). Les dimensions pour le gaz sont indiquées dans le tableau des données techniques des brûleurs.

Il faut également remplacer la buse du brûleur pilote (image 4, note 5). A l'aide d'une clé de 10, démontez le tuyau d'arrivée au brûleur pilote et sortez-le. La buse est située entre l'extrémité du tuyau et le brûleur pilote. Après le remplacement et le remontage du tuyau d'arrivée, il est indispensable de contrôler l'étanchéité du raccordement.

Le réglage de la pression :

La pression est mesurée à l'aide d'un manomètre à sensibilité adéquate. Après avoir desserrer la vis avec étanchéité de l'air, le manomètre est branché sur l'endroit destiné à cet effet (image 5, note 8). La vis de réglage de la pression est accessible après le démontage du chapeau (image 5, note 5). La pression se règle à la valeur indiquée dans la tableau des données techniques des brûleurs (page 10). A l'issue de la mesure, la vis doit être resserrée et son étanchéité doit être contrôlée.

Important :

Après le réglage de l'appareil à un autre type de gaz, il faut indiquer la modification du gaz sur la plaque signalétique de l'appareil.

Mise en service et contrôle du fonctionnement :

- après le raccordement de l'appareil sur l'arrivée, l'appareil, l'installation et le fonctionnement de l'appareil doivent être contrôlés

il faut notamment contrôler :

- Contrôler si tous les raccordements ont été effectués conformément au mode d'installation joint
- Contrôler le respect et la mise en oeuvre de toutes les normes en vigueur, des règles de sécurité, des règlements légaux et des directives
- Contrôler l'appareil pour fuite éventuelle de gaz
- Contrôler l'étanchéité de l'arrivée de l'eau
- Contrôler l'allumage des brûleurs
- Contrôler la stabilité de la flamme
- En cas de modification de l'équipement à un autre type de gaz, modifiez la plaque d'identification du gaz qui est toujours située sous l'arrivée de gaz (image 1 G)

MODE D'EMPLOI

Attention ! Avant de commencer à utiliser l'appareil, il est indispensable de retirer de toute la surface les films de protection en tôle inox, puis de bien la laver à l'eau avec détergent pour vaisselle, y compris la cuve, puis de l'essuyer avec un chiffon trempé dans de l'eau propre. Séchez complètement la cuve à l'aide d'un torchon, enduisez le fond de la cuve à l'aide de l'huile de table et préchauffez à vide le fond à une température de 230°C. Avant de cuisiner, il est indispensable de faire chauffer le fond avec de la matière grasse et de l'abreuver. Il s'avère optimal de frire environ trois à cinq jours dans la cuve et de l'utiliser ensuite pour cuisiner. Si le nettoyage de la cuve est effectué à l'aide de produits chimiques, il convient de réaliser à nouveau quatre à six cycles de friture avant de cuisiner. **Dans aucun cas, l'appareil ne peut être utilisé comme friteuse ou comme son remplacement !!**

Allumage du principal brûleur

Version avec allumeur piézométrique

Écartez la porte située à gauche en bas sur le panneau principal et tournez le bouton de commande de la soupape à gaz dans la position allumage (image 2, note 3 et image 6) et tenez-le enfoncé. Enfoncez à plusieurs reprises le bouton de l'allumeur piézométrique. Après l'allumage du brûleur, tenez le bouton enfoncé pendant quelques secondes (environ 10 - 20 secondes), jusqu'au réchauffement du fusible thermique, puis relâchez le bouton. Si la flamme s'éteint, recommencez la manoeuvre.

Version avec allumage électrique

Écartez la porte située à gauche en bas sur le panneau principal et tournez le bouton de commande de la soupape à gaz dans la position allumage (image 2, note 3 et image 6) et tenez-le enfoncé. La flamme s'allume automatiquement. Après l'allumage du brûleur, tenez le bouton enfoncé pendant quelques secondes (environ 10 - 20 secondes), jusqu'au réchauffement du fusible thermique, puis relâchez le bouton. Si la flamme s'éteint, recommencez la manoeuvre.

Allumage du principal brûleur et réglage de la température

Tournez le bouton de commande de la soupape à gaz dans la position pour l'allumage du principal brûleur (image 6) et réglez la température exigée sur le bouton de réglage du thermostat de service. Le principal brûleur s'allume.

Extinction du principal brûleur

Le principal brûleur peut être éteint sans mettre le bouton de réglage du thermostat de service à « 0 » ou en tournant le bouton de commande de la soupape à gaz dans la position pour l'allumage. Le brûleur principal s'éteint toujours et seul le brûleur pilote est en service.

Extinction complète de l'appareil

Mettez le bouton de commande de la soupape à gaz dans la position Éteint. Tous les brûleurs s'éteignent.

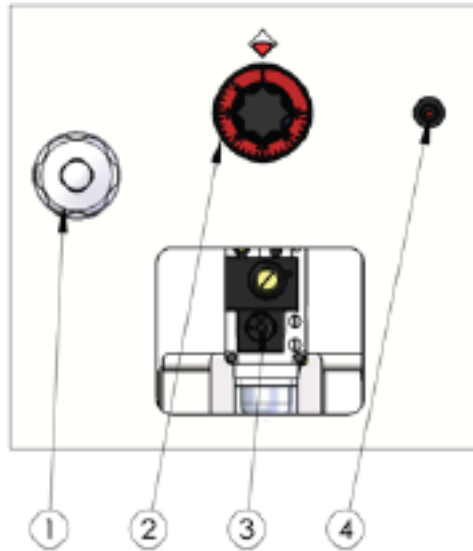
Remplissage de la cuve

Ouvrez le robinet pour le remplissage de la cuve et fermez-le après le remplissage exigé. Remplissez toujours la cuve avec le couvercle de la cuve ouvert.

Vidange de la cuve

A l'aide de la roue de manutention, basculez la marmite dans la position indispensable pour la vidange. ATTENTION ! Avant la vidange de la cuve, placer un ustensile adéquat sous la sortie d'évacuation. Soyez très prudent avec le contenu chaud. En position maximale, la cuve est complètement vidée. Après la vidange, remettez la cuve en position de service.

ATTENTION ! Lors du soulèvement de la cuve, le principal brûleur s'éteint. Lors de l'abaissement, le brûleur est de nouveau allumé. Effectuer donc toutes les manipulations avec le brûleur éteint.

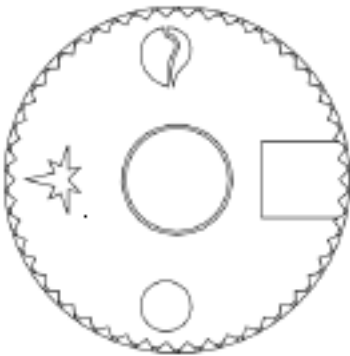


1 – Wasserfüllung

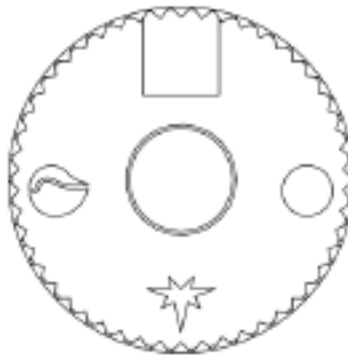
2 – Thermostat drehkopf

3 – gasventil drehkopf

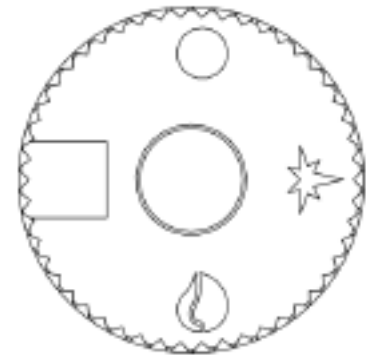
4 – Piezo FeuerzeugKnopf



Éteint la position



Position dallumage



La position dallumage pour le bruleur principal

LE SYSTÈME DE BASCULEMENT DE LA CUVE

Le basculement manuel de la cuve est effectué comme suit :

- 1) sous le lieu d'écoulement, placez un ustensile suffisamment grand et résistant à la température
- 2) laissez refroidir le contenu de la cuve après la friture
- 3) sur la roue de commande, basculez la poignée de manipulation
- 4) tournez la roue vers la droite pour le soulèvement de la cuve et vers la gauche pour la vidange de la cuve
- 5) le soulèvement doit être effectué sans accros, afin de ne pas faire vibrer la cuve

Attention :

Ne videz jamais l'huile de la cuve à la température de friture. Soyez très prudent lors de la manipulation de la cuve avec contenu, certaines parties peuvent être chaudes même après le refroidissement du contenu.

Lors du basculement motorisé, respectez les avertissements susmentionnés et utilisez ce bouton au lieu de la poignée. La flèche vers le haut signifie le basculement, la flèche vers le bas signifie le retour de la cuve en position de base.

Nettoyage

ATTENTION ! Il est interdit de nettoyer l'appareil par le jet d'eau ou par la douche à pression. Nettoyez l'appareil tous les jours. Le service régulier prolonge la longévité et l'efficacité de l'appareil. Avant le nettoyage il faut s'assurer que l'appareil est débranché. Il faut toujours débrancher la principale prise de courant. Nettoyez les pièces inoxydables avec un chiffon humide et un détergent puis lavez avec de l'eau et essuyez. N'utilisez pas les détergents abrasifs ou corrosifs. On nettoie l'intérieur de la poêle avec une spatule plastique ou une éponge avec les détergents. Il ne faut pas enlever la couche foncée au fond de la poêle, celle-ci représente la couche protectrice.

Après le nettoyage mettez de nouveau l'huile au fond de la poêle.

A la fin, remettez tout à la position initiale. Laissez le couvercle ouvert pour que l'air puisse circuler à l'intérieur.

- Dans le cas où vous n'utilisez pas l'appareil plus longtemps :
 - Il faut absolument fermer l'arrivée de l'eau et fermer la prise de courant
- Nettoyez la baignoire et mettez l'huile au fond de la poêle Service et conditions de garantie

Le service régulier est nécessaire en raison de l'utilisation sans danger, on vous alors recommande de signer le contrat de service. Le service peut être réalisé que par les techniciens autorisés qui respectent les normes valables et les instructions mentionnées dans le mode d'emploi. La fréquence optimale des contrôles est 1 fois par 6 mois, dans les conditions extrêmes il convient de faire les contrôles 1 fois par 3 mois. Grâce à service régulier on prévient des endommagements graves ce qui économise les frais d'une réparation éventuelle.

Avertissement !!

La garantie ne couvre pas les pièces qui sont à l'usure (joints élastiques, ampoules, pièces de verre et en plastique, etc.). La garantie ne couvre pas l'appareil au cas où celui-ci n'a pas été installé conformément au mode d'emploi – par une personne autorisée selon les normes correspondantes ou au cas où quelqu'un a manipulé avec l'appareil de façon incompétente (interventions dans l'intérieur) ou au cas où quelqu'un a manipulé avec l'appareil contrairement au mode d'emploi. La garantie ne couvre même pas les endommagements faits par les influences naturelles ou une autre intervention externe.

En cas d'une panne :

Il faut débrancher la prise de courant et l'arrivée de l'eau immédiatement, appeler sans délai le service après-vente et surtout de ne pas manipuler avec l'appareil.

Le producteur n'est pas responsable des blessures ou des dégâts matériels produits en raison d'observation des règles de sécurité ou en raison d'utilisation de l'appareil dans les situations différentes de celles qui ont été recommandées par le producteur

Instructions de liquidation :

Le matériel d'emballage doit être liquidé conformément aux règles valables.

Même votre appareil ancien doit être liquidé correctement. Remettez l'appareil à l'organisation chargée de prise des appareils électriques et des appareils de gaz après la fin de leur durée de service,

DE VERKLARING VAN OVEREENSTEMMING MET DE NORMEN

De fabrikant verklaart dat de apparaten voldoen aan de basiseisen van de richtlijn 2016/426/EU, 2014/30/EU, 2014/35/EU verordening van de regering nr. 22/1997 Coll., nr. 258/2000 Coll., nr. 258/200 Coll., nr. 118/2016 Coll., nr. 117/2016 Coll.

Technische gegevens

Het typeplaatje met technische gegevens bevindt zich aan de zijkant of op de achterkant van het apparaat. Bestudeer het elektrische schema van het apparaat en alle onderstaande informatie, voordat u overgaat tot installatie van het apparaat.

Producttype	De kom optillen	Material of bath bottom	Inhoud kom (l)	Aansluitvermogen (kW)	Afmetingen
BR 70/80 G	manual	steel	50	12	800x806x1040
BR 70/80 G/N	manual	stainless steel	50	12	800x806x1040

	9,45 kWh/m ³ G20 NATURAL GAS (20,25)mbar	8,12 kWh/m ³ G25 NATURAL GAS (20,25)mbar	12,68 kWh/kg G30 BUTAN (30)mbar	12,87 kWh/kg G31 PROPAN 37mbar
Mondstuk van hoofdbrander 1/100mm	310	310	175	210
Mondstuk van waakvlambrander 1/100mm	51	51	30	30
Overdruk sproeier - vol vermogen (mbar)	9	13,5	26	16
Instelling luchtregeling (mm)	25	11	10	31
Gasverbruik	1,27	1,477	0,946	0,932

Controle van de verpakking en het apparaat

Het apparaat verlaat ons magazijn in een verpakking die voldoet aan alle voorschriften en waarop zich de vereiste symbolen en markeringen bevinden. In de verpakking bevindt zich de overeenkomstige gebruiksaanwijzing. Indien de verpakking beschadigd is of wijst op onjuist transport, dient u dit onmiddellijk te reclameren bij de transporteur door middel van ondertekening van een schadeprotocol. Latere indiening van klachten wordt niet in aanmerking genomen.

Belangrijke aanwijzingen

Lees deze gebruiksaanwijzing aandachtig en nauwkeurig door, omdat zij belangrijke informatie bevat over veiligheidsvoorzieningen, installatie en gebruik van het apparaat.

- Het product is alleen bedoeld om binnenshuis te worden gebruikt.
- Gebruik het apparaat nooit als de stroomtoevoer of stekker beschadigd is, als het niet juist werkt, het op de grond is gevallen en beschadigd of in het water is gevallen. Breng in dergelijke gevallen het apparaat naar een gespecialiseerde service om te controleren of het apparaat veilig is en correct werkt.
- Deze aanbevelingen zijn van toepassing op dit product of productlijn.
- Deze handleiding moet zorgvuldig bewaard worden voor toekomstig gebruik.
- Zorg ervoor dat kinderen het apparaat niet kunnen bedienen.
- Wanneer u hebt apparaat verkocht of verplaatst, zorg er dan voor dat de persoon die het apparaat bedient of er de service van doet, bekend is met het gebruik en de installatie-instructies in de bijgevoegde handleiding.
- Het product mag uitsluitend worden bediend door een persoon die bekend is met deze gebruiksaanwijzingen.
- Het ingeschakelde apparaat niet zonder toezicht laten werken.
- Wij bevelen aan om het apparaat minimaal 2x per jaar een gespecialiseerde controle en onderhoudsbeurt te geven.
- Gebruik uitsluitend originele onderdelen bij eventuele reparatie of vervanging van onderdelen.
- Het apparaat mag niet schoongemaakt worden met een waterstraal of een hogedrukreiniger.
- Bij storingen of wanneer het apparaat niet goed werkt alle leidingen (water, stroom, gas) afsluiten en contact opnemen met de geautoriseerde service.
- De producent is niet aansprakelijk voor storingen die zijn veroorzaakt door incorrecte installatie, het niet in acht nemen van bovengenoemde aanbevelingen, gebruik dat niet in overeenstemming is met de bestemming van het apparaat enz.
- Het apparaat mag alleen worden gebruikt voor het doel waarvoor het is bedoeld. Elk ander gebruik is verboden en kan leiden tot gevaar of letsel
- Er moet worden gezorgd voor de strengste naleving van de brandbeveiligingsregels
- Tijdens en kort na het bedrijf zijn sommige delen van het apparaat heet
- Het is verboden om tijdens de werking andere delen van het apparaat aan te raken dan de hiervoor bedoelde bedieningselementen

Plaatsing

De volgende richtlijnen in overeenstemming met de normen TPG G 704 01, ČSN 127040 en ČSN 127010 moeten in acht worden genomen voor de juiste werking en opstelling van het apparaat.

Pak het apparaat uit een controleer of het tijdens het transport niet is beschadigd. Plaats het apparaat op een horizontale oppervlakte (de maximale oneffenheid mag maximaal 2° bedragen). Kleine oneffenheden kunnen worden opgevangen met de stelvoeten.

Als het apparaat zodanig geplaatst is dat het in contact komt met de wanden van het meubilair, dan moeten deze bestand zijn tegen temperatuur tot 60 °C. Installatie, afstelling en inbedrijfstelling moet door een gekwalificeerd persoon uitgevoerd worden die bevoegd is voor deze handelingen in overeenstemming met de toepasselijke normen.

Het apparaat kan afzonderlijk worden geïnstalleerd of in serie met door ons geproduceerde apparaten. Er moet een minimale afstand van 10 cm tot brandbare materialen aangehouden worden. In dit geval is het ook noodzakelijk de nodige aanpassingen uit te voeren om de warmte-isolatie van de brandbare onderdelen te waarborgen.

Het apparaat mag alleen worden geïnstalleerd op een onbrandbare ondergrond of tegen een onbrandbare wand.

De kleinste vereiste luchtstroming vanuit de buitenruimte voor de apparaten van versie A ligt in het bereik van 5-20 m³/h, afhankelijk van het type apparaat. Het hangt af van de installatievoorschriften van het land van bestemming.

De door de fabrikant of zijn vertegenwoordiger beveiligde onderdelen van het apparaat mag de persoon die de installatie van het product doet, niet wijzigen.

Installatie

Belangrijk:

De fabrikant verleent geen garantie voor storingen die zijn ontstaan als gevolg van oneigenlijk gebruik, het niet in acht nemen van de instructies in bijgevoegde gebruikershandleiding en verkeerde hantering van het apparaat.

Installatie-, aanpassings- en reparatiewerkzaamheden op het apparaat voor grote keukens, evenals hun demontage als gevolg van mogelijke schade aan de gastoevoer, kunnen alleen worden uitgevoerd op basis van een onderhoudscontract. Dit contract kan met een geautoriseerde verkoper afgesloten worden, met inachtneming van de technische voorschriften en normen en voorschriften betreffende installatie, elektrische toevoerleidingen, gasaansluiting en arbeidsveiligheid.

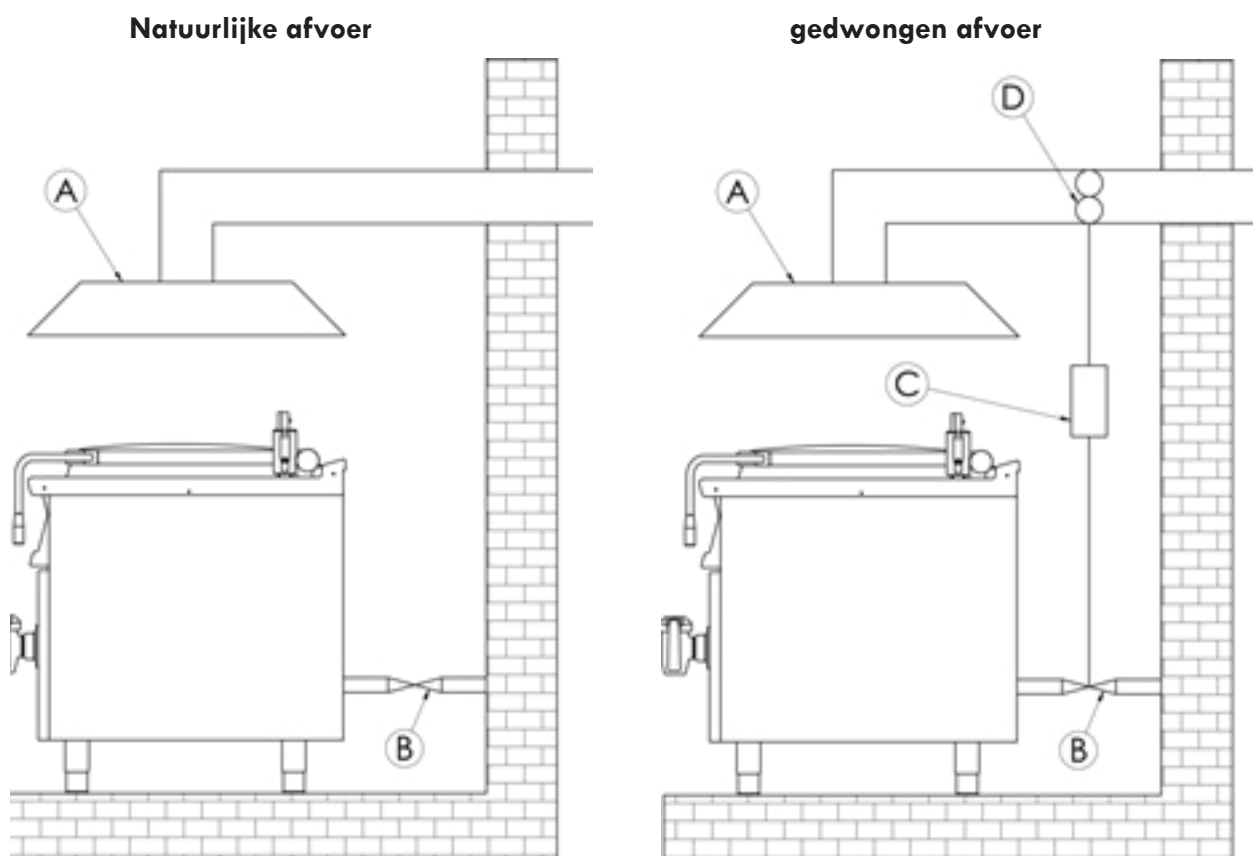
Technische instructies voor installatie en afstelling zijn **UITSLUITEND** bestemd om door gespecialiseerde technici te worden gebruikt.

De volgende instructies zijn bestemd voor een technicus die de juiste kwalificaties bezit voor de installatie, om te verzekeren dat hij alle handelingen op de juiste manier en in overeenstemming met de geldende normen kan uitvoeren.

Iedere handeling die te maken heeft met onder andere regulatie, moet worden uitgevoerd terwijl het apparaat is losgekoppeld van de stroomvoorziening. Indien het apparaat toch onder spanning moet staan, dient u de grootst mogelijke voorzichtigheid in acht te nemen.

Het type apparaat voor de uitvoering van afzuiging staat vermeld op het typeplaatje, dit zijn de apparaten van het type A1.

INSTRUCTIES VOOR HET UITVOEREN VAN GASAFVOER –TYPE A



Natuurlijke afvoer, gedwongen afvoer

De uitgang van de afzuigkap bevindt zich in een apart schoorsteenlichaam (A). Rookgasafvoer zorgt voor een natuurlijke trek van de schoorsteen.

De uitgang van de afzuigkap heeft geen natuurlijke afvoer. De rookgasafvoer wordt verzorgd door een ventilator (D), (gedwongen afvoer). In dit geval is het noodzakelijk om een aansluiting op de gastoevoer (B) te voorzien om de gastoevoer uit te schakelen bij een storing.

Veiligheidsvoorzieningen in verband met brandpreventie conform ČSN 061008 art. 21

- het apparaat mag uitsluitend door volwassenen bediend worden
- het apparaat kan veilig gebruikt worden in overeenstemming van de volgende normen:
ČSN 33 2000-4-482: Brandbeveiliging in gebieden met een speciaal risico of gevaar
ČSN 33 2000-4-42: Bescherming tegen invloeden van warmte

- het apparaat moet zo worden geplaatst dat het stevig staat of hangt op een vuurbestendige ondergrond
Op of naast het apparaat mogen zich geen brandbare voorwerpen bevinden binnen de veilige afstand die voor het apparaat is vastgesteld (de kleinste afstand tot brandbare materialen bedraagt 10 cm).

Tabel: De mate van brandbaarheid van bouwmaterialen (ČSN 730823) weergegeven per substantie en product

Mate van brandbaarheid	Bouwmaterialen
A – niet brandbaar	Graniet, zandsteen, beton, baksteen, keramische bekleding, pleisterwerk
B – heel moeilijk brandbaar	Acuminiet, heracliet, lihnos, itaver
C1 – moeilijk brandbaar	Hout, loofhout, fineer, sirkoklit, verstevigd papier, umakart
C2 – gemiddeld brandbaar	Spaanplaat, solodur, kurkplaat, harde rubber, vloerbedekking
C3 – zeer brandbaar	Vezelplaat, polystyreen, polyurethaan, PVC

- Informatie over mate van brandbaarheid van gewone bouwmaterialen staan in de tabel hieronder. Installeer het apparaat op veilige wijze. Neem bij de installatie de voorschriften voor ontwerp, veiligheid en arbeidshygiëne in acht overeenkomstig:
 - ČSN 06 1008 brandveiligheid van lokale apparaten en warmtebronnen
 - ČSN 33 2000-4-482 brandbeveiliging in gebieden met een speciaal risico of gevaar
 - ČSN 33 2000-4-42 bescherming tegen invloeden van warmte

Aansluiting van de elektrische kabel op het elektriciteitsnet

De aansluiting op het elektriciteitsnet - de voedingskabel moet zelfstandig beveiligd worden. Namelijk door de toepassing van een zekering voor nominale stroom, afhankelijk van het aansluitvermogen van het geïnstalleerde apparaat. Controleer het aansluitvermogen van het apparaat op het typeplaatje dat zich op het achterpaneel (of zijkant) van het apparaat bevindt.

De aangesloten aardkabel moet langer zijn dan de andere kabels. Sluit het apparaat direct op het elektriciteitsnet aan. Het is absoluut noodzakelijk om tussen het apparaat en het elektriciteitsnet een schakelaar te monteren die minimaal 3 mm van het enkelvoudige contact is verwijderd en die voldoet aan de geldende normen en belastingen. De aardkabel (geelgroen) mag niet door deze schakelaar worden onderbroken. Als het apparaat bedoeld is voor aansluiting in het stopcontact, sluit dit aan op het elektriciteitsnet als het stopcontact van een overeenkomstige zekering voorzien is.

De voedingskabel moet dusdanig worden bevestigd, dat hij op geen enkel punt warmer kan worden dan 50 °C boven de omgevingstemperatuur. Voordat u het apparaat aansluit op het elektriciteitsnet moet u controleren of:

- de voedingszekering en de stroomverdeler de stroombelasting van het apparaat verdragen (zie het matrixplaatje),
- het distributiepaneel is uitgerust met een aarding volgens de normen (ČSN) en de wettelijke voorschriften
- het stopcontact of de schakelaar in de voeding goed bereikbaar zijn vanaf het apparaat
- elektrische voedingleiding naar het apparaat moet gemaakt zijn van oliebestendig materiaal

We zijn niet aansprakelijk wanneer deze normen en de bovengenoemde principes niet in acht worden genomen.

Maak voor het eerste gebruik het apparaat schoon, zie het hoofdstuk „Reiniging en onderhoud“. Het apparaat moet geaard worden met behulp van de schroef met een aardingsmarkering.

- Dit label geeft het aardingspunt van het apparaat aan
- Steek de stekker van de voedingskabel niet in het stopcontact en trek ze niet uit het stopcontact met natte handen en door aan de voedingskabel te trekken!
- Gebruik geen verlengsnoeren of blok contactdozen.
- Het aansluitpunt van het net moet maximaal de ondervermelde impedantie Z_{MAX} conform ČSN EN 61000-3-11:2001 hebben. Z_{MAX} = 0,042 + j 0,026 Ω voor fasegeleiders en 0,028 + j 0,017 Ω voor nulgeleider



- Dit label geeft het risico van een elektrische schok aan

WATERAANSLUITING

De wateraansluiting wordt uitgevoerd met een slang met schroefdraad G1 / 2. De watertoevoer moet voorzien zijn van een aparte klep die vrij beschikbaar is en binnen bereik van het apparaat. De uitrusting bevat een terugslagklep.

- De waterhardheid moet tussen 0,5 - 5 ° Franse graad liggen.

INDIEN HOGER, IS HET NODIG, GEBRUIK EEN WATERVERZACHTINGSSYSTEEM.

- De waterdruk moet tussen 50 - 250 kPa liggen.
- Het chloorvolume in het water mag niet hoger zijn dan 10 ppm, anders riskeert u schade aan het badoppervlak
- De zuurgraad van water moet hoger zijn dan pH 7.
- Elektrische geleidbaarheid: 50 - 2000 uS / cm (20 ° C)
- De aansluiting moet worden gemaakt volgens richtlijn EN 1717 en met geldige nationale richtlijnen voor aquacultuur.

De aansluiting van de gas slangaansluiting

Het aansluiten van het apparaat op de gasleiding moet via een stalen of koperen slang uitgevoerd worden die overeenkomt met de toepasselijke nationale vereisten. De buis moet regelmatig gecontroleerd worden en indien nodig, vervangen worden. Elk apparaat moet uitgerust zijn met een afsluiter en een snelafsluiter. De snelafsluiter moet vrij toegankelijk en binnen handbereik van het apparaat zijn. Na het voltooien van de installatie moet gecontroleerd worden of er geen gaslek is. Om een eventueel gaslek op te sporen, kunt u een sopje of detectiespray gebruiken.

Gebruik geen stoffen die corrosie veroorzaken! Alle onze apparaten worden zorgvuldig gecontroleerd. Gastype, druk en aanduiding van de betreffende categorie zijn vermeld op het typeplaatje.

Aansluiting op vloeibaar gas:

De druk voor de aansluiting op vloeibaar gas moet 28 of 30 mbar voor propaan/butaan en 37 mbar voor propaan zijn. Het is noodzakelijk het plaatje te controleren, de druk te meten en te controleren of de parameters van de gebruikte sproeier overeenkomen met de gewenste parameters van de sproeier, overeenkomstig de eisen van de fabrikant. Als de druk lager is dan 25 mbar of hoger dan 37 mbar, **MAG HET APPARAAT NIET AANGESLOTEN WORDEN**. Aansluiting op aardgas: De druk voor de aansluiting op methaan moet 18 of 20 mbar zijn. Het is noodzakelijk het plaatje te controleren, de druk te meten en te controleren of de parameters van de gebruikte sproeier overeenkomen met de gewenste parameters van de sproeier, overeenkomstig de eisen van de fabrikant. Als de druk lager is dan 15 mbar of hoger dan 22,5 mbar, **MAG HET APPARAAT NIET AANGESLOTEN WORDEN**

CONTROLE VAN DE APPARAATINSTELLING OP HET TYPE GAS

Onze apparaten zijn gecertificeerd en gereguleerd voor aardgas (zie typeplaatje). Het ombouwen of converteren van het apparaat naar een ander gastype mag alleen worden uitgevoerd door een bevoegde technicus. Alle sproeiers voor verschillende soorten gas zitten in de bijgevoegde zak en zijn gemarkeerd in honderdsten van een mm (tabel met technische gegevens van branders).

Vervanging van de brander sproeier:

Om de brander sproeier te vervangen, moet het voorpaneel worden verwijderd en na het losdraaien van de schroef M5 de luchtregeling inschuiven en de originele brander met de sleutel 13 losschroeven, daarna een nieuwe vastschroeven. Vervolgens moet de luchtregeling op de nieuwe waarde ingesteld worden. De afmetingen voor het betreffende gastype staan vermeld in de tabel met technische gegevens van de branders. Ook de sproeier van de pilootbrander moet vervangen worden. Verwijder met behulp van de sleutel 10 de toevoerleiding naar de pilootbrander en duw deze naar buiten. De sproeier bevindt zich tussen het uiteinde van de leiding en de pilootbrander. Na vervanging ervan en terugmontage van de toevoerleiding moet de dichtheid gecontroleerd worden.

Drukinstelling:

De druk wordt gemeten met een manometer met de vereiste gevoeligheid. De manometer wordt, na het losschroeven van de schroef met luchtdichte dop, op de juiste plaats aangesloten. De druktelschroef is toegankelijk na het verwijderen van de dop. De druk wordt ingesteld op de waarde die vermeld is in de tabel met technische gegevens van de branders. Na het voltooien van de meting moet de schroef terug vast gedraaid en op dichtheid gecontroleerd worden.

Belangrijk:

Nadat u het apparaat hebt aangepast aan een andere soort gas, moet u de wijziging van gas markeren op het typeplaatje.

Inbedrijfstelling en controle van de werking:

- nadat het apparaat op de voeding is aangesloten, moet het apparaat, de volledige installatie en de werking gecontroleerd worden
- in het bijzonder moet het volgende gecontroleerd worden:
 - Controleren of alle verbindingen uitgevoerd zijn volgens de meegeleverde installatiehandleiding
 - Controleren of alle toepasselijke normen en veiligheidsvoorschriften, alsook de wettelijke voorschriften en richtlijnen nageleefd worden
 - De apparaten op gaslekken controleren
 - De dichtheid van de watertoevoer controleren
 - De ontsteking van de branders controleren
 - De stabiliteit van de brandende vlam controleren
- Indien het apparaat gewijzigd werd naar een ander type gas, moet ook het productieplaatje aangepast worden.

GEBRUIKSAANWIJZING

Opgelet! Voordat u het apparaat gebruikt, moet u de beschermende folie van het gehele oppervlak verwijderen, het vervolgens goed met water en afwasmiddel wassen en daarna met een vochtige doek afnemen. Veeg de kom droog met een schoonmaakdoek, smeer de bodem van de kom met tafelolie in en laat de bodem tot een temperatuur van 230 °C opwarmen. Voordat u begint met het koken moet u eerst de stallegering bodem van de kom inbranden. Voor staalgelegeerde bodems moet u regelmatig onderhoud na het beëindigen van de kookcyclus in acht nemen. De met staal gelegeerde bodem van de kom is in eerste instantie bedoeld om met olie te werken. Als de pan met chemische stoffen gereinigd wordt, moet u de pan opnieuw inbranden. Het apparaat mag in geen geval als friteuse of als vervanging ervan gebruikt worden!! Na het inbranden zal de kom verkleurd zijn, wat een volkomen normaal verschijnsel is en geen defect. Voor het koken raden wij een roestvrijstalen bodem aan.

Vergeet niet dat het niveau zal stijgen na het plaatsen van voedsel in de pan.

De hoofdbrander aansteken

De uitvoering met een piëzo-aansteker

Schuif de deur linksonder op het voorpaneel en draai de bedieningsknop van de gasklep naar de ontstekingspositie (afb. 2 pos. 3 en afb. 6) en houd deze ingedrukt. Druk meerdere keren op de piëzo ontstekingsknop.

Houd na het aansteken van de brander de knop nog enkele seconden ingedrukt (ca. 10-20 seconden) tot de thermische zekering opgewarmd is en laat daarna de knop los. Herhaal de hele procedure als de vlam uitgaat.

Ontsteking van de hoofdbrander en temperatuurregeling

Draai de bedieningsknop van de gasklep naar de ontstekingspositie van de hoofdbrander (afb. 6) en stel de gewenste temperatuur op de temperatuurregelaar in. De hoofdbrander wordt ontstoken.

De hoofdbrander uitschakelen

De hoofdbrander kan worden uitgeschakeld door de regelknop van de werkthermostaat op "0" in te stellen of door de bedieningsknop van de gasklep naar de ontstekingspositie te draaien. De hoofdbrander gaat altijd uit en alleen de pilootbrander blijft branden.

Het gehele apparaat uitschakelen

Draai de bedieningsknop van de gasklep naar de positie uitgeschakeld. Alle branders gaan uit.

Vullen van de kom met water

Open de kraan om de kom te vullen en draai deze, nadat de benodigde hoeveelheid water bereikt is, opnieuw dicht. Vul het water alleen als het deksel van de kom geopend is. Het water mag niet bijgevoerd worden als het apparaat ingeschakeld is en er zich olie in de kom bevindt.

Aftappen van de inhoud van de kom

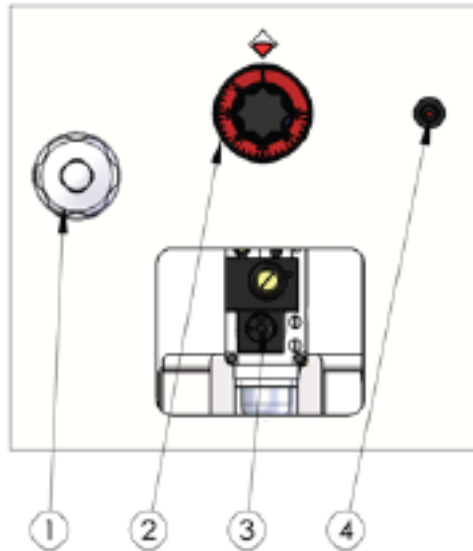
Kantel de kom naar de gewenste ledigingpositie met behulp van het manipulatie wiel. OPGELET! Voordat u de kom leegmaakt, plaats een geschikte bak onder de uitloop van de kom. Wees uiterst voorzichtig bij het hanteren van de hete inhoud. Als de kom in maximale positie staat dan wordt deze volledig gelegeerd. Zet de kom, na het leegmaken, terug in werkpositie.

OPGELET!

Bij het optillen van de kom gaat de hoofdbrander uit en bij het neerlaten van de kom gaat de hoofdbrander weer aan. Voer dus alle handelingen met de kom uit terwijl de brander uitgeschakeld is.

Bij het braden mag de olietemperatuur niet meer dan 230 °C zijn!

! VOORDAT U HET APPARAAT VOOR DE EERSTE KEER GEBRUIKT, MOET U DE GEBRUIKERSHANDLEIDING LEZEN!

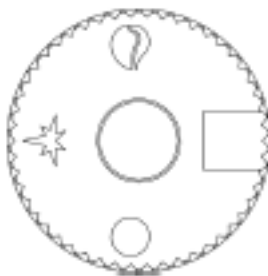


1 - water vullen

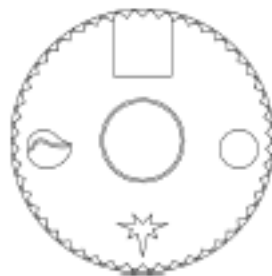
2 - bediening van de werkthermostaat

3 - bediening van de gasklep

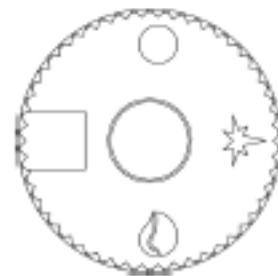
4 - piëzo-aansteker



Switched off position



Ignition position



Ignition position for main burner

Aftappen van de inhoud van de kom

Kantel de kom naar de gewenste ledigingpositie met behulp van het manipulatiewiel. OPGELET! Voordat u de kom leegmaakt, plaats een geschikte bak met voldoende volume onder de uitloop. De bak moet bestand zijn tegen hogere temperaturen. Wees uiterst voorzichtig bij het hanteren van de hete inhoud. De kom wordt volledig gelegeerd als deze zich in maximale positie bevindt. Zet de kom, na het leegmaken, terug in werkpositie. OPGELET! Voer alle handelingen met de kom uit als de verwarming uitgeschakeld is.

- 1) plaats een qua volume voldoende warmtebestendige bak onder de uitloop
- 2) laat de inhoud van de kom na het braden afkoelen
- 3) kantel de hendel op het manipulatiewiel
- 4) draai naar rechts om de kom op te tillen en naar links om de kom te laten zakken
- 5) probeer de kom zo soepel mogelijk op te tillen om overmatige trilling van de kom te voorkomen

Voorzichtig: Giet nooit olie uit de kom bij frituurtemperatuur. Wees uiterst voorzichtig bij het manipuleren van de kom en de inhoud ervan, sommige componenten kunnen heet zijn, zelfs nadat de inhoud is afgekoeld. Neem bovenvermelde instructies in acht bij gemotoriseerd kantelen.

Neem bovenvermelde instructies in acht bij gemotoriseerd kantelen van de kom. Elektromotorisch kantelen gebeurt door middel van de kantelknop. Om de kom te laten zakken, gebruik de omhoog pijl, om de kom terug te brengen naar de basispositie, met de omlaag pijl.

Kantelen

Terugbrengen van de kom naar basispositie



REINIGING EN ONDERHOUD

Het apparaat mag niet schoongemaakt worden met een directe waterstraal of met een hogedrukreiniger. Maak het apparaat elke dag schoon. Dankzij het dagelijks onderhoud bent u verzekerd van een lange levensduur en de efficiëntie van het apparaat. Controleer voordat u begint met schoonmaken of het apparaat is losgekoppeld van het elektriciteitsnet. Schakel altijd de hoofdtoevoer naar het apparaat uit. Maak de elementen van roestvrijstaal schoon met een vochtige doek en een klein beetje schoonmaakmiddel zonder schurende deeltjes, spoel vervolgens alles met zuiver water en droog met een doek. Gebruik geen schurende of corrosieve schoonmaakmiddelen. Reinig het binnenoppervlak van de pan met een plastic spatel of een spons met gewone schoonmaakmiddelen (geen metalen voorwerpen gebruiken). De reiniging moet altijd na het beëindigen van het kookproces uitgevoerd worden om corrosie te voorkomen. De pan moet gedurende 10 minuten tot 80 °C verwarmd worden om de bodem van de pan goed te ontvochtigen. Behandel de bodem van de pan na het afdrogen met tafelolie. Probeer de donkere dunne laag op de bodem van de pan niet onnodig te verwijderen, het creëert een beschermende laag op het oppervlak. Nadat de reiniging van de kom voltooid is, zet alles terug in de oorspronkelijke positie. Laat het deksel open zodat er lucht in de kom kan circuleren

- Bij langdurig stilstaan:
- Zorg ervoor de watertoevoer af te sluiten en de elektriciteit los te koppelen
- Bij langdurig stilstaan, moet u de kom reinigen en de bodem met olie behandelen

ONDERHOUD EN PRODUCTGARANTIE

Bij langdurig gebruik van het apparaat is het noodzakelijk om regelmatig onderhoud te plegen voor een veilig gebruik. We raden u ten zeerste aan een contract af te sluiten met de technische dienst. Onderhoud kan alleen worden uitgevoerd door een gekwalificeerde technicus volgens bijgewerkte richtlijnen, wetten en instructies uit deze handleiding. We raden aan om het apparaat minstens eenmaal per 6 maanden te laten onderhouden door een professionele service, bij extreem gebruik van het apparaat eenmaal per 3 maanden. Preventieve inspecties kunnen ernstige problemen voorkomen en daarmee de economische last van operaties verminderen.

AANDACHT

De garantie dekt niet alle verbruiksonderdelen die bezwijken aan slijtage (rubber, afdichtingen, gloeilampen, glas en plastic onderdelen enz.). Ook de garantie heeft geen betrekking op de apparaten die niet werden geïnstalleerd in overeenstemming met de instructies, knoeien of overtreden van de gebruiksregels. Schade veroorzaakt door invloed van de natuur of andere tussenkomst van buitenaf valt ook niet onder ons garantiebeleid.

Bij pech:

Sluit de gastoevoer onmiddellijk af, koppel de stroom los en bel een professionele serviceorganisatie. Bij langdurige uitval de hoofdgasklep afsluiten.

De fabrikant aanvaardt geen aansprakelijkheid voor letsel of materiële schade als gevolg van het niet naleven van gezondheids- en veiligheidsvoorschriften of het gebruik van het apparaat voor andere doeleinden dan waarvoor het bedoeld is.

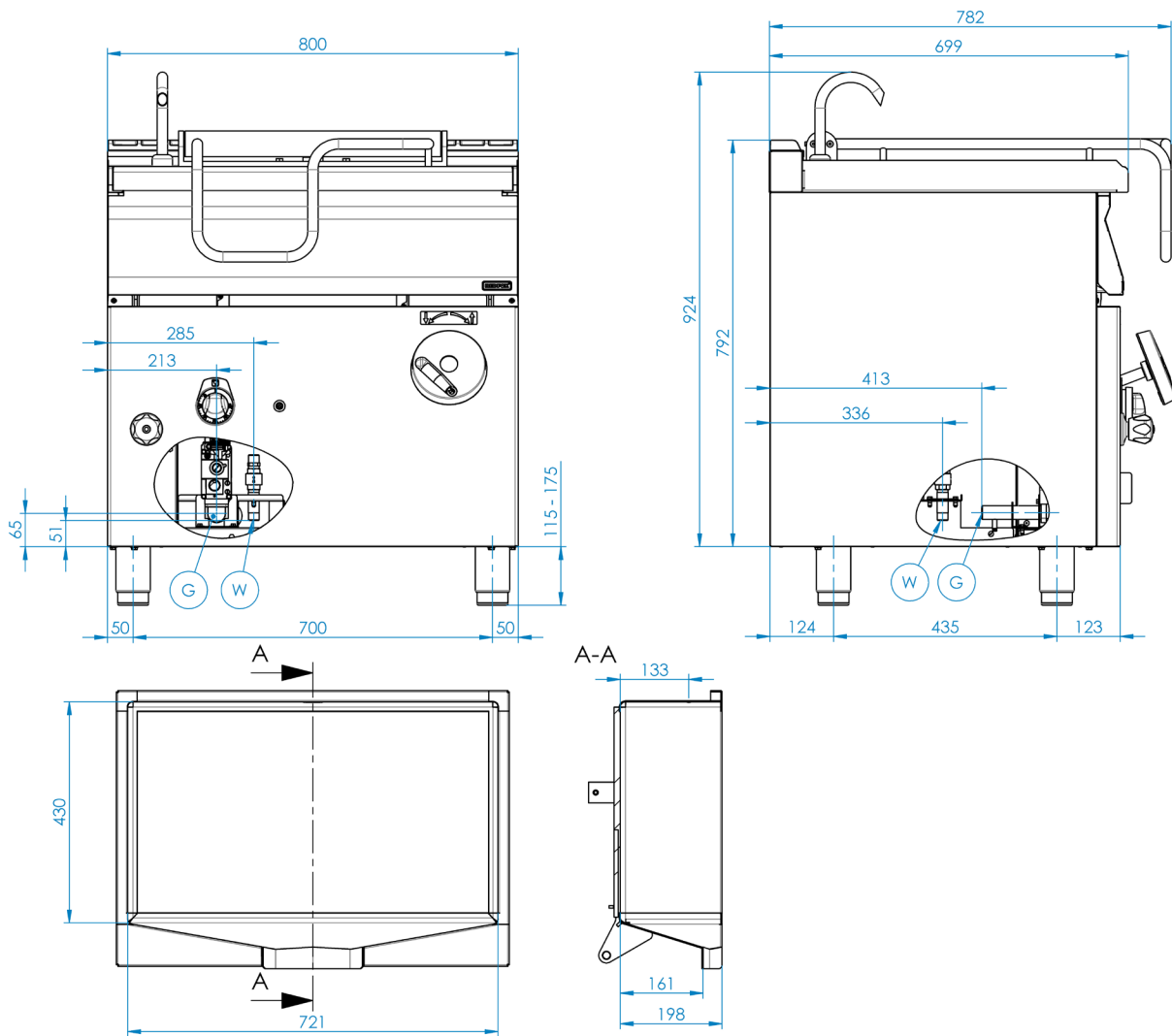
Instructies voor verwijdering:

De verpakking van ons product is gemaakt van niet-vervuilende materialen, dus compatibel met het milieu en recyclebaar. Help alstublieft door de verpakking op de juiste manier af te voeren. Zoek de adressen van het inzamel-, recycling- en verwijderingscentrum bij uw handelaar of bij de bevoegde plaatselijke organisatie. Gooi de verpakking of enig onderdeel ervan niet weg. Ze kunnen verstikkingsgevaar opleveren voor kinderen.

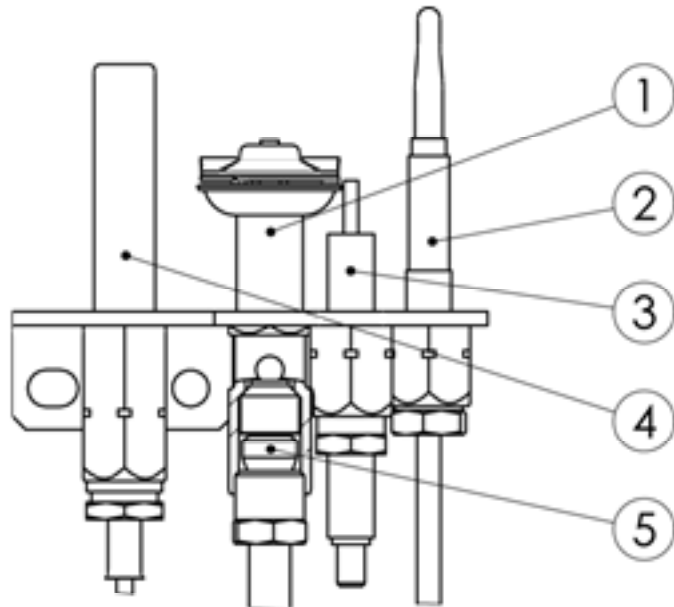
Ook uw oude apparaat moet op de juiste manier worden afgevoerd. Overhandig uw apparaat aan de plaatselijke instantie die bevoegd is voor de inzameling van elektrische of gastoestellen die niet meer in gebruik zijn. Correcte verwijdering betekent intelligente recycling van waardevolle materialen. Het is ook nodig om de verbindingkabel naar het voedingsnetwerk door te knippen en deze samen met de stekker te verwijderen.

DIMENSION PLANS / MASSSKIZZEN / DIMENSIONS

BR-70/80 G(/N)

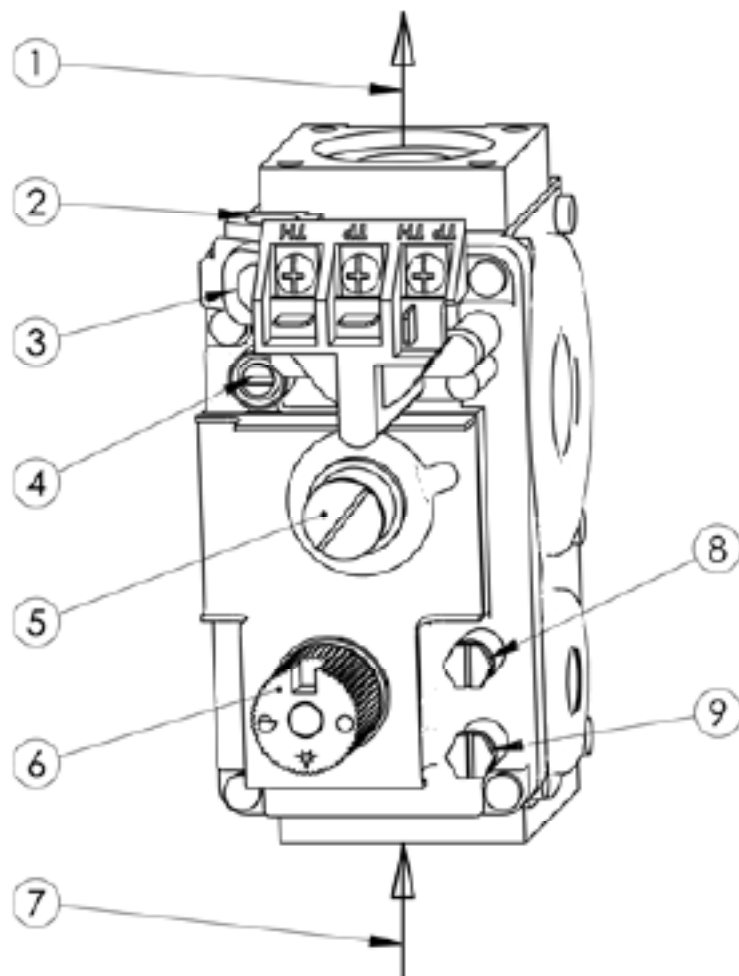


Pilot burner

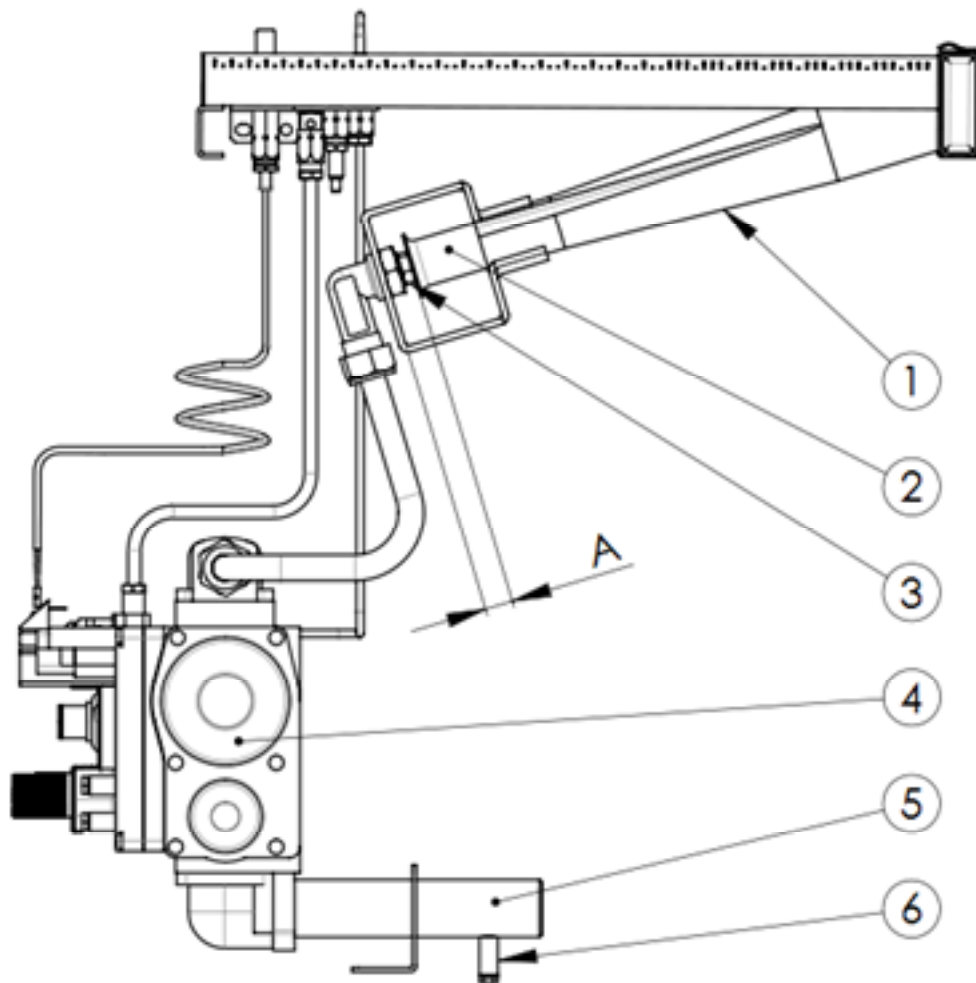


- 1 – pilot burner
- 2 – thermocouple
- 3 – spark plug

- 4 – thermo battery
- 5 – nozzle pilot burner



Gas valve



- 1 – main burner
- 2 – air control
- 3 – nozzle

- 4 – gas valve
- 5 – gas inlet
- 6 – gas inlet pressure checkpoint

PROHLÁŠENÍ O SOULADU S NORMAMI

Výrobce prohlašuje, že přístroje jsou v souladu s nařízením 2016/426/EU, zákonem č.22/1997 Sb. a č. 258/2000 Sb. o ochraně veřejného zdraví, vyhláškou č. 38/2001 Sb. a příslušnými nařízeními vlády. Instalace musí být uskutečněna s ohledem na platné normy.

Výrobce prohlašuje, že přístroje splňují základní požadavky směrnice 2014/35/EU (nařízení vlády č. 118/2016 Sb.) a požadavky směrnice 2014/30/EU (nařízení vlády č. 117/2016 Sb.).

Pozor, výrobce se vzdává jakékoli odpovědnosti v případě přímých i nepřímých poškození, které se vztahují ke špatné instalaci, nesprávným zásahem nebo úpravami, nedostatečnou údržbou, nesprávným používáním, a které jsou eventuálně způsobeny jinými příčinami, jež uvádí body uvedené v podmínkách prodeje. Tento spotřebič je určen pouze pro odborné používání a musí být obsluhován kvalifikovanými osobami. Části, které byly po nastavení zajištěny výrobcem nebo pověřeným pracovníkem, nesmí uživatel přestavovat.

TECHNICKÁ DATA

Štítek s technickými údaji je umístěn na zadní části přístroje. Před instalací si prostudujte elektrické schéma zapojení a všechny následující informace.

Typ výrobku	Zapalování	Zvedání vany	Materiál dna vany	Objem pánve (l)	Výkon (kW)	rozměry
BR 70/80 G	zapalovač	RUČNÍ	FE	50	12	800 x 806 x 1040
BR 70/80 G/N	zapalovač	RUČNÍ	INOX	50	12	800 x 806 x 1040

	9,45 kWh/m ³ G20 NATURAL GAS (20,25)mbar	8,12 kWh/m ³ G25 NATURAL GAS (20,25)mbar	12,68 kWh/kg G30 BUTAN (30)mbar	12,87 kWh/kg G31 PROPAN 37mbar
Tryska hořáku pr. 1/100mm	310	310	175	210
Tryska pil. hořáku pr. 1/100mm	51	51	30	30
Přetlak na trysce - plný výkon (mbar)	9	13,5	26	16
Nastav. regulace vzduchu (mm)	25	11	10	31
Spotřeba plynu	1,27	1,477	0,946	0,932

Části, které byly nastaveny výrobcem, nebo servisním technikem při instalaci, nesmí být obsluhou přenastavovány.

Maximální a snížený jmenovitý tepelný příkon v kW je vztažen k H_i použitého plynu.

V případě připojení výrobku na LPG, musí být plynová láhev v dostatečně větraných místnostech.

Tabulka plynů, pro které je výrobek určen

Provedení	Kategorie výrobků	Připojovací přetlaky [mbar]	Použitý plyn	Země určení
A1	I2E	20	G20	DE, NL, PL, RO
	I2ELL	20, 20	G20, G25	DE
	I2E+	20/25	G20/G25	BE, FR
	I2H	25	G20	HU
	I2H	20	G20	AT, BG, CH, CZ, DK, HR, EE, ES, FI, GB, GR, IE, IT, LT, LV, NO, PT, RO, SE, SI, SK, TR, LU, CY, FR
	I2L	25	G25	FR
	I2L	20	G25	RO
	I2Lw	20	G27	PL
	I3B/P	30	G30	BG, CY, CZ, DK, GB, HR, EE, FI, FR, GR, HU, IT, LT, LV, MT, NL, NO, RO, SE, SI, SK, TR
	I3B/P	37	G30	PL
	I3B/P	50	G30	AT, DE, CZ, CH, FR, SK
	I3P	37	G31	BE, CH, CZ, ES, GB, GR, IE, RO, SI, SK, FR, NL, PT, HR, IT, LT, PL, TR
	I3+	28-30/37	G30	BE, CH, CY, CZ, EE, ES, FR, GB, GR, IE, IT, LT, PT, SI, SK, TR
	II2E3B/P	20, 50	G20, G30	DE, PL, RO
	II2ELL-3B/P	20, 20, 50	G20, G25, G30	DE
	II2E+3+	20/25, 28-30/37	G20/G25, G30	BE, FR
	II2E+3P	20/25, 37	G20/G25, G31	BE, FR
	II2H3B/P	20, 30	G20, G30	BG, CZ, GB, DK, HR, EE, FI, GR, IT, LT, LV, NO, RO, SE, SI, SK, TR, CY, FR
	II2H3B/P	20, 50	G20, G30	AT, CH, CZ, FR, SK
	II2H3P	20, 37	G20, G31	CH, CZ, ES, GB, GR, IE, RO, SI, SK
	II2H3+	20, 28-30/37	G20, G30	CH, CY, CZ, EE, ES, GB, GR, IE, IT, LT, PT, SK, SI, TR
	II2L3B/P	25, 30	G25, G30	NL
	II2L3B/P	25, 50	G25, G30	NL
	II2L3B/P	20, 30	G25, G30	RO
	II2H-S3B/P	25, 25, 30	G20, G25.1, G30	HU

ZÁKLADNÍ INFORMACE K PLYNOVÝM PÁNVÍM

Pánve plynové jsou konstruovány s ohledem na maximální výkony, odolnost a trvanlivost pro nejtěžší provozy a jednoduchost obsluhy spolu se snadnou údržbou. Pro výrobu jsou používány díly vysoké kvality.

- Hořák o vysokém výkonu
- Optimalizovaný plamen a spotřeba plynu
- Nerezové stěny van a masivní teplo vodné dno
- Masivní konstrukce
- Sklápění ruční nebo elektrické
- U sklopných modelů napouštění vody přímo do vany
- Ergonomické tvarování ovládacích prvků
- Optimalizované tvarování povrchu pro snadné čištění
- Jednoduchá obsluha

KONTROLA OBALU A ZAŘÍZENÍ

Zařízení opouští naše sklady v řádném obalu, na kterém jsou odpovídající symboly a označení. V obalu se nachází odpovídající návod k obsluze. Jestliže by obal měl vykazovat špatné zacházení, známky poškození, musí se okamžitě reklamovat u přepravce a to sepsáním a podepsáním protokolu o škodě. Na pozdější reklamace nebude brán zřetel.

Důležité upozornění

Tento návod musí být řádně a pozorně přečten, protože obsahuje důležité informace o bezpečnostních prvcích, instalaci a použití.

- Výrobek je určen pouze k používání ve vnitřních prostorech.
- Nikdy spotřebič nepoužívejte, pokud má poškozený napájecí přívod nebo vidlici, pokud nepracuje správně, upadl na zem a poškodil se nebo spadl do vody. V takových případech zanechte spotřebič do odborného servisu k prověření jeho bezpečnosti a správné funkce
- Tato doporučení se vztahují na tento výrobek, nebo produktovou linii.
- Tento návod se musí řádně uschovat pro budoucí použití.
- Zabraňte dětem manipulovat s přístrojem.
- Při prodeji nebo přemístění je nutno se přesvědčit, že obsluha nebo odborný servis se seznámil s ovládáním a instalačními pokyny v příloženém návodu.
- Výrobek smí obsluhovat pouze obsluha, která se seznámila s tímto návodem k použití.
- Nesmí být spuštěn bez dozoru.
- Doporučuje se kontrola odborným servisem minimálně 2x ročně.
- Při eventuální opravě nebo výměně dílů musí být použity originální náhradní díly.
- Výrobek se nesmí čistit proudem vody nebo tlakovou sprchou.
- Při poruše nebo špatném chodu výrobku je nutné odpojit veškeré přívody (voda, elektřina, plyn) a zavolat autorizovaný servis.
- Výrobce se vzdává jakékoli zodpovědnosti při poruchách způsobenými chybnou instalací, nedodržením shora uvedených doporučení, jiným užíváním apod.
- Tento přístroj je určen k: vaření, dušení a opékání
- Nikdy nepokládejte žádné předměty na hořáky/do prostoru hořákové komory.

UMÍSTĚNÍ

Ke správné činnosti a umístění spotřebiče je nutné dodržet následující směrnice dle norem TPG G 704 01, ČSN 127040 a ČSN 127010.

Rozbalte přístroj a zkontrolujte, zda se přístroj nepoškodil během přepravy. Umístěte přístroj na vodorovnou plochu (maximální nerovnost do 2°). Drobné nerovnosti lze vyrovnat regulovatelnými nožičkami.

Jestliže zařízení bude umístěno tak, že bude v kontaktu se stěnami nábytku, tyto musí odolávat teplotě až 60°C. Instalaci, seřízení, uvedení do provozu musí provést kvalifikovaná osoba, která má k takovýmto úkonům oprávnění a to dle platných norem.

Přístroj může být instalován samostatně nebo v sérii s přístroji naší výroby. Je nutno dodržovat minimální vzdálenost 10 cm od hořlavých materiálů. V tomto případě je nutné zabezpečit odpovídající úpravy, aby byla zabezpečena tepelná izolace hořlavých částí.

Spotřebič se musí instalovat pouze na nehořlavém povrchu nebo u nehořlavé stěny.

INSTALACE



Důležité:

Výrobce neposkytuje žádnou záruku na závady, vzniklé v důsledku nesprávného používání, nedodržování instrukcí obsažených v přiloženém návodu k použití a špatným zacházením se spotřebiči.

Instalaci, úpravy a opravy spotřebičů pro velkokuchyně, tak jako i jejich demontáž z důvodu možného poškození přívodu plynu, mohou být prováděny pouze na základě smlouvy o údržbě, tato smlouva může být uzavřena s autorizovaným prodejcem, přičemž musí být dodržovány technické předpisy a normy a předpisy týkající se instalace, elektrického přívodu, plynové přípojky a bezpečnosti práce.

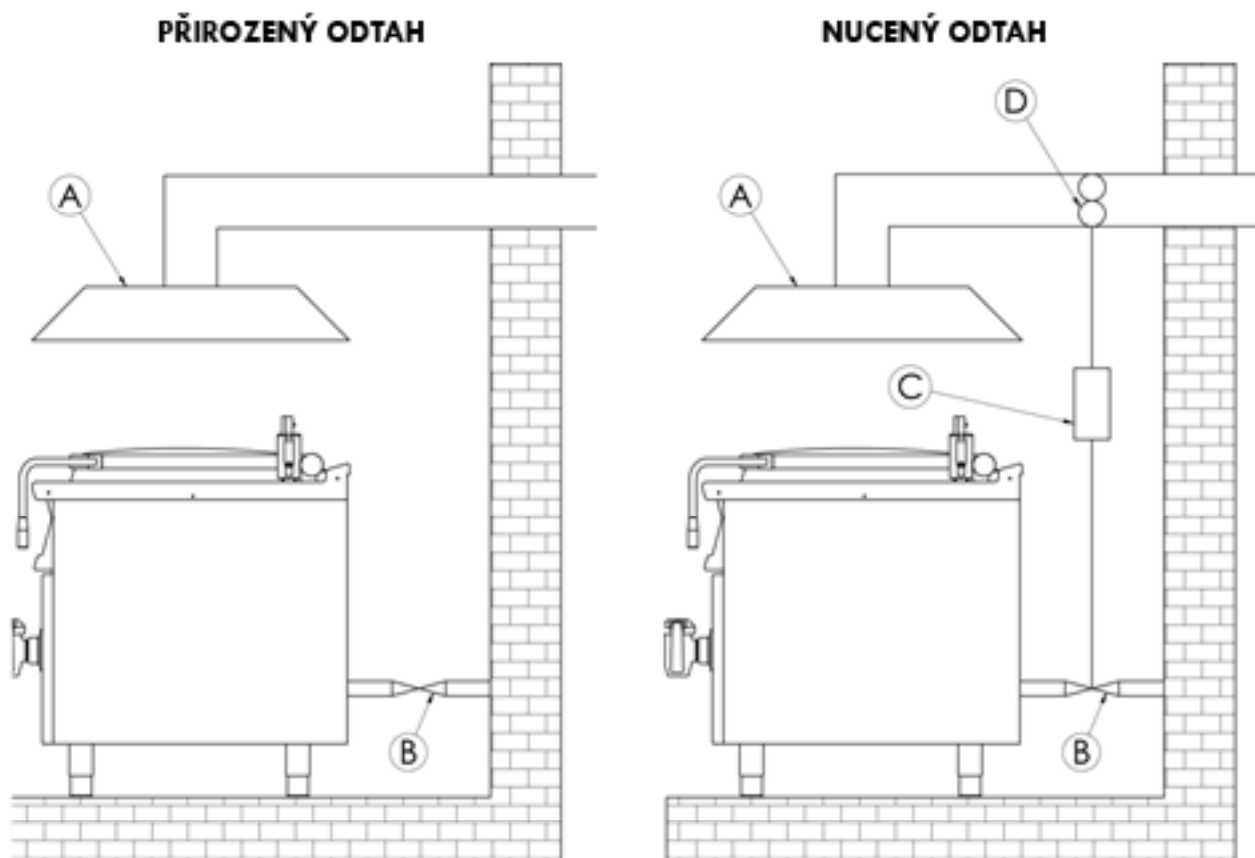
Technické instrukce pro instalaci a seřízení, k použití POUZE pro specializované techniky.

Instrukce, které následují, se obrací k technikovi kvalifikovanému pro instalaci, aby provedl všechny operace způsobem co nejkorektnějším a podle platných norem.

Jakákoli činnost spojená s regulací apod. musí být vykonána pouze se zařízením odpojeným ze sítě. Je - li nutno udržovat spotřebič pod napětím je nutno dbát nejvyšší opatrnosti.

Typ spotřebiče pro provedení odtahu je deklarován na typovém štítku, jedná se o spotřebiče typu A1.

PROVEDENÍ ODTAHU PLYNU



Vyústění digestoře je do samostatného komínového tělesa (A). Odtah spalin zabezpečuje přirozený tah komínu.

Vyústění digestoře je bez přirozeného odtahu. Odtah spalin je zabezpečován pomocí ventilátoru (D), (nucený odtah). V tomto případě je nezbytné zabezpečit propojení s přívodem plynu (B) pro vypnutí přívodu plynu při výpadku.

KONTROLA TEPELNÉHO VÝKONU

Spotřebiče musí být zkontrolovány, aby se ověřil jejich tepelný příkon:

Tepelný výkon je označen na štítku nebo jej naleznete v tomto návodu.

Je nutné nejdříve ověřit, je-li spotřebič vyroben pro ten samý typ plynu, který bude používán a tudíž odpovídá-li označení na štítku typu plynu, který bude používán.

K přestavbě na jiný druh plynu je nutné zkontrolovat, odpovídá-li typ označeného plynu tomu, který je doporučen v této příručce.

Tlak se měří tlakoměrem o potřebné citlivosti. Tlakoměr se připojí na příslušné místo, je nutné proto odšroubovat šroub se vzduchotěsným uzávěrem a připojit tlakoměr. Po ukončení měření je nutné našroubovat šroub zpět a překontrolovat jeho těsnost.

BEZPEČNOSTNÍ OPATŘENÍ Z HLEDISKA POŽÁRNÍ OCHRANY PODLE

ČSN 061008 ČL. 21

- obsluhu spotřebiče smí provádět pouze dospělé osoby
- spotřebič smí být bezpečně používán v souladu s normami:
ČSN 33 2000-4-482: Ochrana proti požáru v prostorách se zvláštním rizikem nebo nebezpečím
ČSN 33 2000-4-42: Ochrana před účinky tepla
- spotřebič je nutné umístit tak, aby stál nebo visel pevně na nehořlavém podkladu

Na spotřebič a do vzdálenosti menší než bezpečná vzdálenost od něho nesmějí být kladeny předměty z hořlavých hmot (nejmenší vzdálenost spotřebiče od hořlavých hmot je 10 cm).

Tabulka: stupeň hořlavosti stavební hmoty zařazené do st. hořlavosti (ČSN 730823) hmot a výrobků

C2 - středně hořlavé	dřevotřískové desky, solodur, korkové desky, pryž, podlahoviny
C3 - lehce hořlavé	dřevovláknité desky, polystyrén, polyureten, PVC

• informace o stupni hořlavosti běžných stavebních hmot uvádí tabulka výše. Spotřebiče musí být instalovány bezpečným způsobem. Při instalaci musí být dále respektovány příslušné projektové, bezpečnostní a hygienické předpisy dle:

- ČSN 06 1008 požární bezpečnost lokálních spotřebičů a zdrojů tepla
- ČSN 33 2000-4-482 ochrana proti požáru v prostorách se zvláštním rizikem nebo nebezpečím
- ČSN 33 2000-4-42 ochrana před účinky tepla

PŘIPOJENÍ PLYNOVÉ PŘIPOJOVACÍ HADICE

Připojení spotřebiče do rozvodu plynu je nutné provést přípojnou ocelovou nebo měděnou hadicí vyhovující platným národním požadavkům. Ta musí být pravidelně kontrolována a podle potřeby vyměněna. Každý spotřebič musí být vybaven uzavíracím kohoutem a rychlouzávěrem. Rychlouzávěr musí být volně přístupný a v dosahu zařízení. Po ukončení instalace je třeba překontrolovat, zda nedochází k úniku plynu. Pro zjištění úniku používáme mýdlovou vodu nebo detekční spreje pro zjištění případných úniků.

Nepoužívat látky způsobující korozi! Všechny naše spotřebiče jsou pečlivě kontrolovány. Typ plynu, tlak a označení příslušné kategorie jsou uvedeny na výrobním štítku.

Připojení na kapalný plyn:

Tlak pro připojení na kapalný plyn musí být 28 nebo 30 mbar pro propan/butan a 37 mbar pro propan. Je nutné zkontrolovat štítek, změřit tlak a zkontrolovat parametry nainstalované trysky s požadovanými parametry trysky dle požadavků výrobce. Pokud je tlak nižší než 25 mbar nebo vyšší než 37 mbar **NESMÍ BÝT SPOTŘEBIČ PŘIPOJEN**

Připojení na zemní plyn:

Tlak při připojení na metan musí být 18 nebo 20 mbar. Je nutné zkontrolovat štítek, změřit tlak a zkontrolovat parametry nainstalované trysky s požadovanými parametry trysky dle požadavků výrobce. Pokud je tlak nižší než 15 mbar nebo vyšší než 22,5 mbar **NESMÍ BÝT SPOTŘEBIČ PŘIPOJEN**

PŘIPOJENÍ VODY

Připojení vody se provádí pomocí přívodní hadice se závitem G1/2. Připojení se provede po sejmutí předního panelu. Přívod vody musí být osazen samostatným uzávěrem, který je volně přístupný a v dosahu zařízení. Součástí zařízení je zpětný ventil.

- Tvrdost vody musí být v rozsahu 0,5 - 5 ° francouzských stupňů. Nad tuto hodnotu je nutné použít změkčovač.
- Tlak vody musí být v rozsahu 50 - 250kPa.
- Obsah chloru ve vodě nesmí být vyšší než 10ppm, jinak hrozí poškození povrchu vany.
- Kyselost vody musí být nad 7 pH.
- Elektrická vodivost: 50 - 2000uS/cm(20°C)
- Připojení musí být v souladu s EN 1717 a s platnými národními předpisy pro vodní hospodářství.

PŘIPOJENÍ ELEKTRICKÉHO KABELU DO SÍTĚ

Instalace elektrického přívodu - tento přívod musí být samostatně jištěn. A to odpovídajícím jističem jmenovitého proudu v závislosti na příkonu instalovaného přístroje. Příkon přístroje zkontrolujte na výrobním štítku na zadním panelu (či boku) přístroje.

Připojený zemnicí vodič musí být delší než ostatní vodiče. Přístroj připojte přímo na síť, je nezbytné vložit mezi spotřebič a síť vypínač s minimální vzdáleností 3 mm mezi jednotlivými kontakty, který odpovídá platným normám a zatížením. Přívod uzemnění (žlutozelený) nesmí tímto spínačem být přerušen. Přístroj určený pro připojení do zásuvky, připojte do sítě pokud má zásuvka odpovídající jištění.

V každém případě přívodní kabel musí být umístěn tak, že v žádném bodě nedosáhne teploty o 50 stupňů vyšší než prostředí. Než bude spotřebič připojen do sítě, je nutné se nejprve ujistit, že:

- přívodní jistič a vnitřní rozvod snesou proudové zatížení spotřebiče (viz štítek matrice)
- rozvod je vybaven účinným uzeměním podle norem (ČSN) a podmínek daných zákonem
- zásuvka nebo vypínač v přívodu jsou dobře přístupné od spotřebiče
- elektrický přívod do zařízení musí být z olejovzdorného materiálu

Vzdáváme se jakékoli zodpovědnosti v případě, že tyto normy nebudou respektovány a v případě porušení výše uvedených zásad.

KONTROLA NASTAVENÍ PŘÍSTROJE NA DRUH PLYNU

Naše spotřebiče jsou certifikovány a regulovány pro zemní plyn (viz. typový štítek). Přestavba nebo přizpůsobení na jiný typ plynu musí být provedena pouze oprávněným technikem. Trysky na různé typy plynu jsou v sáčku, přibaleném k pánvi a jsou označeny v setinách mm (tabulka technických dat hořáků).

Výměna trysky:

Pro výměnu trysky je nutno odmontovat přední panel, po povolení šroubu M5 zasunout regulaci vzduchu a klíčem 13 vyšroubovat původní tryčku a našroubovat novou. Poté je nutno regulaci vzduchu nastavit na novou hodnotu. Rozměry pro příslušný plyn jsou uvedeny v tabulce technických dat hořáků.

Dále je nutno vyměnit tryčku pilotního hořáku. Klíčem 10 se odmontuje přívodní trubka k pilotnímu hořáku a vysune se ven. Mezi zakončením trubky a pilotním hořákem je umístěna tryčka. Po její výměně a zpětném namontování přívodní trubky je třeba zkontrolovat těsnost spoje.

Seřízení tlaku:

Tlak se měří tlakoměrem o potřebné citlivosti. Tlakoměr se po odšroubování šroubu se vzduchotěsným uzávěrem připojí na příslušné místo. Seřizovací šroub tlaku je přístupný po demontáži krytky. Tlak se seřídí na hodnotu uvedenou v tabulce technických dat hořáků. Po ukončení měření je nutné našroubovat šroub zpět a překontrolovat jeho těsnost.

Důležité:

Poté, co bylo provedeno seřízení spotřebiče na jiný typ plynu, je nutné změnu plynu vyznačit na štítku spotřebiče.

Uvedení do provozu a kontrola chodu:

- po připojení přístroje na přívod musí být přístroj, celá instalace a provoz přístroje přezkoušeny
- obzvláště je třeba zkontrolovat:
 - Zkontrolovat, že všechna připojení byla provedena dle předloženého návodu k instalaci
 - Zkontrolovat, že byly dodrženy a splněny všechny platné normy a bezpečnostní předpisy a zákonné předpisy a směrnice
 - Zkontrolovat spotřebiče kvůli úniku plynu
 - Zkontrolovat těsnost přívodu vody
 - Zkontrolovat zapalování hořáků
 - Zkontrolovat stálost hoření plamene
- V případě změny zařízení na jiný druh plynu, pozměnit výrobní štítek

NÁVOD K POUŽITÍ

Pozor!

Než začnete přístroj používat, je nutné z celého povrchu sejmout ochranné fólie z nerezového plechu, a pak jej dobře omýt vodou se saponátem na nádobí včetně vany, a poté otřít hadrem namočeným v čisté vodě. Vanu vyčistěte utěrkou do sucha, dno vany potřete stolním olejem a proveďte vypálení dna při teplotě 230°C. Před vařením je nutné provést prvotní zapečení, u ocelo-slitinového dna vany. U ocelovo-slitinového dna musíme dbát, na pravidelnou údržbu po zkončení varného cyklu. Ocelo-slitinové dno vany je primárně určeno pro práci s olejem. Pokud je provedeno čištění pánve chemií je nutné, provést prvotní zapečení pánve. Přístroj nesmí být za žádných okolností použit jako fritéza nebo její náhrada!! Zapečení vany se projeví jejím zabarvením, což je naprosto normální jev a ne závada. Pro vaření, doporučujeme dno nerezové.

Zapálení hlavního hořáku

Provedení s piezozapalovačem

Odsuňte dvířka vlevo dole na předním panelu a otočte ovládací knoflík plynového ventilu do polohy zapalování (obr. 2, poz. 3 a obr. 6) a držte ho stlačený. Několikrát stiskněte knoflík piezozapalovače. Po zapálení hořáku držte knoflík stisknutý ještě několik sekund (cca.10-20 vteřin), než se zahřeje termostata, poté knoflík uvolněte. Pokud plamen zhasne, celý postup opakujte.

Zapálení hlavního hořáku a regulace teploty

Otočte ovládací knoflík plynového ventilu do polohy pro zapálení hlavního hořáku (obr. 6) a na regulačním knoflíku pracovního termostatu nastavte požadovanou teplotu. Dojde k zapálení hlavního hořáku.

Vypnutí hlavního hořáku

Hlavní hořák lze vypnout buď nastavením regulačního knoflíku pracovního termostatu na „0“, nebo otočením ovládacího knoflíku plynového ventilu do polohy pro zapalování. Hlavní hořák vždy zhasne a zůstane hořet pouze pilotní hořák.

Vypnutí celého přístroje

Ovládací knoflík plynového ventilu nastavte do polohy vypnuto. Dojde ke zhasnutí všech hořáků.

Napouštění vody do vany

Otevřete kohout pro napouštění vany a po napouštění potřebného množství jej opět uzavřete. Vodu napouštějte pouze při otevřeném víku vany. Voda se nesmí dopouštět do zapnuté zařízení s olejem ve vaně.

Vypouštění náplně vany

Pomocí manipulačního kola vyklopte pánev do potřebné polohy pro její vypuštění. POZOR! Před vypouštěním vany přistavte pod přepad vhodnou nádobu. Dbejte maximální opatrnosti při manipulaci s vřelým obsahem. V maximální poloze vany dojde k jejímu plnému vypuštění. Po vylití vany ji opět vraťte do pracovní polohy.

POZOR!

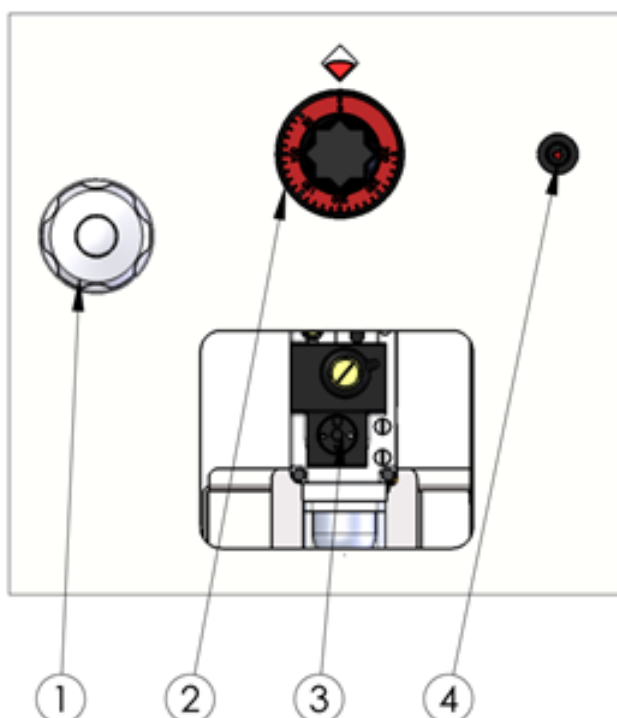
Při zvednutí vany dojde ke zhasnutí hlavního hořáku a při jejím spuštění dolů zase k jeho opětovnému zapálení, proto veškerou manipulaci s vanou provádějte při vypnutém hořáku.

! V případě smažení nesmí teplota oleje překročit teplotu 230 °C !



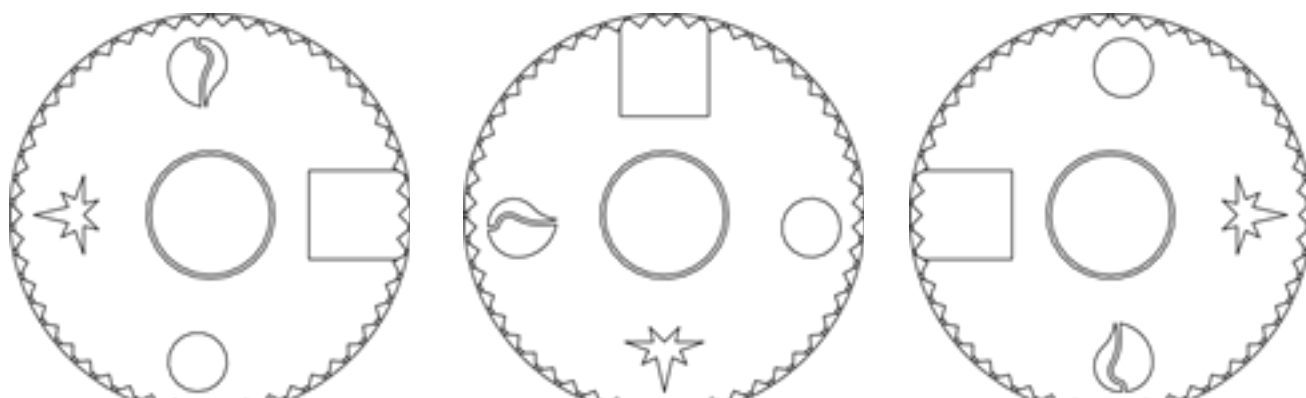
! PŘED PRVNÍM POUŽITÍM PŘÍSTROJE JE NUTNÉ SI PŘEČÍST NÁVOD K POUŽITÍ !

OVLÁDÁNÍ



1 - napouštění vody
2 - ovládání pracovního termostatu

3 - ovládání plynového ventilu
4 - piezozapalovač



VYKLÁPĚNÍ VANY

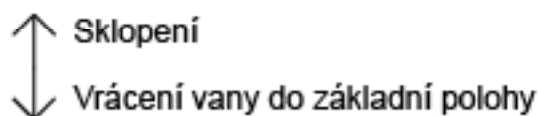
Při manuálním sklápění vany postupujte následovně:

- 1) pod místo výtoku postavte objemově dostatečně velkou nádobu odolnou teplotě
- 2) nechte zchladnout obsah vany po smažení
- 3) na ovládacím kole vyklopte manipulační madlo
- 4) začněte kolem otáčet vpravo pro zdvih vany a vlevo pro spouštění vany
- 5) zdvihání provádějte co nejplynuleji, aby nedošlo k rozkmitání vany

Upozornění:

Nikdy nevylévejte olej z vany při fritovací teplotě. Při manipulaci s vanou a obsahem vany dbejte maximální opatnosti, některé součásti mohou být horké i po zchladnutí obsahu. Při motorickém sklápění dbejte výše uvedených upozornění.

Při motorickém sklápění vany dbejte výše uvedených upozornění. Elektrické sklápění se provádí pomocí tlačítka sklápění. Sklopení vany provedete šipkou nahoru, vanu vrátíte zpět do základní polohy šipkou dolů.



! DBEJTE ZVÝŠENÉ OPATRNOSTI PŘI SKLÁPĚNÍ VANY, HROZÍ RIZIKO PORANĚNÍ !



POZOR!

Zařízení se nesmí čistit přímou nebo tlakovou vodou. Čistěte zařízení denně. Denní údržba prodlužuje životnost a účinnost zařízení. Před započatím čištění se přesvědčte, jestli jste odpojili zařízení od elektrického proudu. Vždy vypněte hlavní přívod k zařízení. Nerezové části omyjte vlhkým hadrem se saponátem bez hrubých částíček, poté vše opláchněte čistou vodou a vytřete do sucha. Nepoužívejte abrazivní nebo korosivní čisticí prostředky.

Vnitřní povrch pánve čistíme plastovou stěrkou, nebo houbičkou s běžnými saponáty (nepoužívat kovové předměty). Sanitaci po skončení varného procesu, musíme provádět vždy, abychom zabránili korozi. Pánve musíme zahřát na 80 °C po dobu 10 minut, aby jste dno pánve řádně zbavily vlhkosti. Po vysušení dno pánve opět ošetřete stolním olejem.

Tmavou slabší vrstvu na dně pánve zbytečně neodstraňujeme, tvoří ochrannou vrstvu povrchu. Po vyčištění vany vraťte vše do původní polohy. Víko nechte otevřené, aby mohl vzduch v nádobě cirkulovat

- Při dlouhodobé odstávce:
- Bezpodmínečně uzavřete přívod vody a plynu
- Při dlouhodobé odstávce vyčistěte vanu a zakonzervujte dno olejem

Jak postupovat v případě poruchy?

Vypněte elektrický a plynový přívod a zavolejte servisní organizaci prodejce.

UPOZORNĚNÍ

Záruka se navztahuje na všechny spotřební díly podléhající běžnému opotřebení (gumová těsnění, žárovky, skleněné a plastové díly atd.). Záruka se též nevztahuje na zařízení pokud není provedena instalace v souladu s návodem – oprávněným pracovníkem dle odpovídajících norem a pokud bylo se zařízením neodborně manipulováno (zásahy do vnitřního zařízení atd.) nebo bylo obsluhováno nezaškoleným personálem a v rozporu s návodem k použití, dále se záruka nevztahuje na poškození přírodními vlivy či jiným vnějším zásahem.

Je nutné provádět řádné kontroly zařízení v intervalu 6 měsíců. Tyto kontroly smí provádět pouze autorizovaný servis. V případě porušení této skutečnosti se výrobce vzdává jakékoli odpovědnosti za škody způsobené na majetku či zdraví osob.

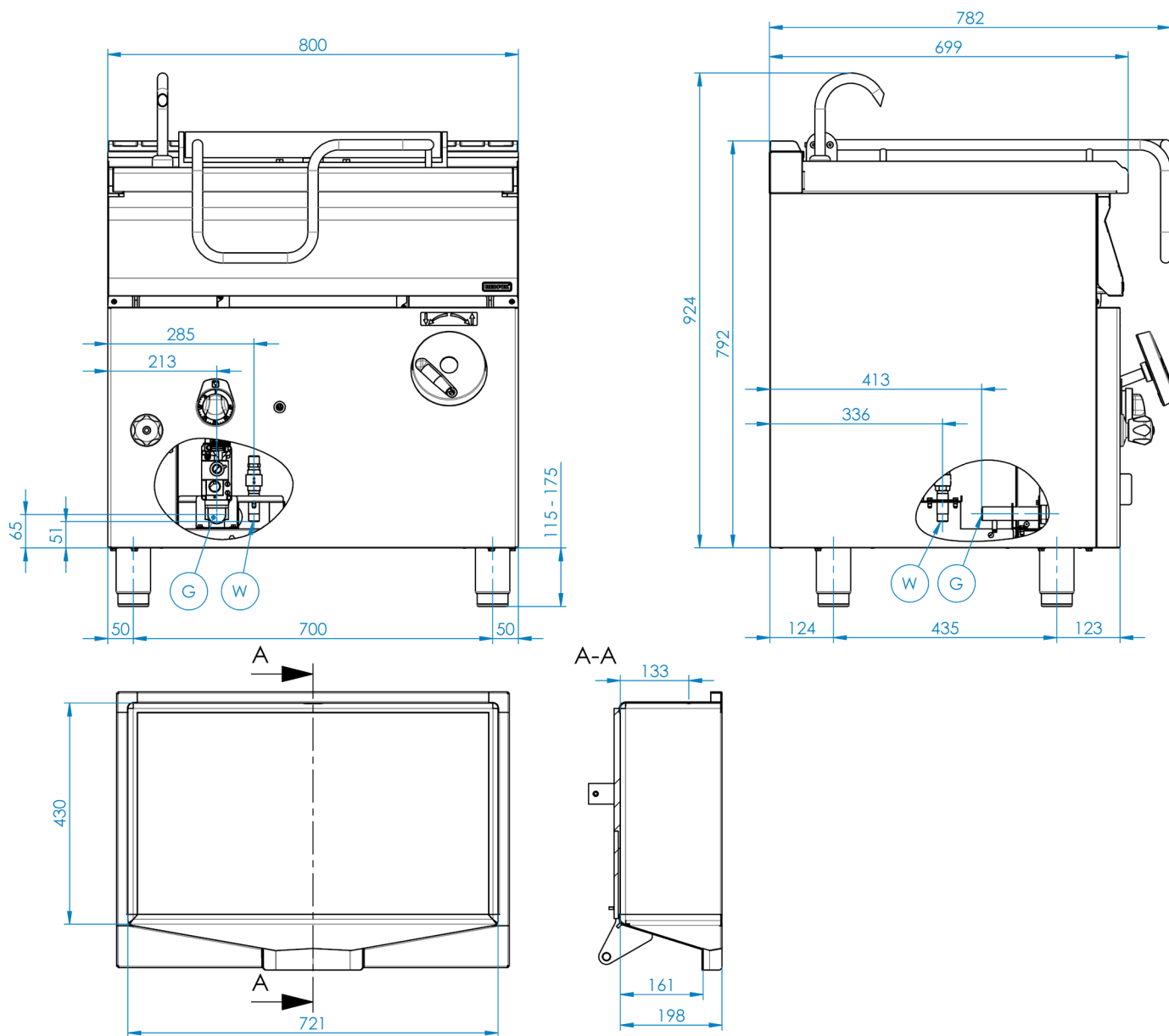
Přepravní obaly a zařízení po ukončení životnosti odevzdejte do sběru, dle předpisů o nakládání s odpadem a nebezpečným odpadem.

Seznam dílů pro výměnu

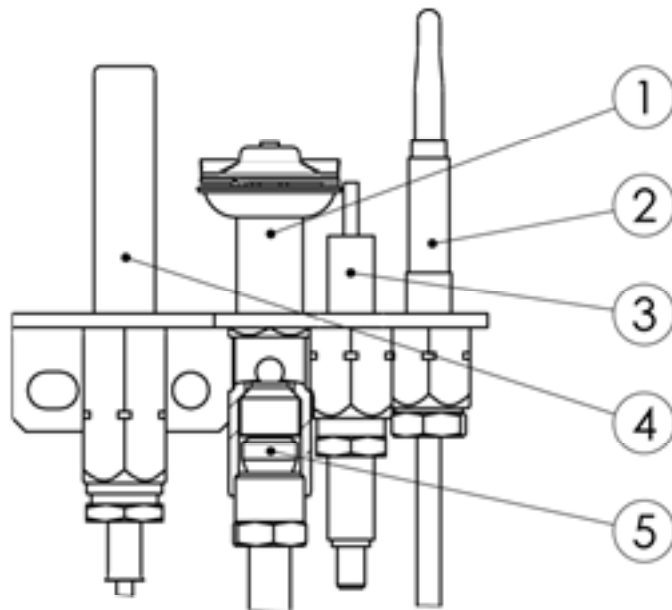
Zkratka 1	Název zboží
402594254	Samolep. etiketa se stupnicí FT-E L900 REDFOX
402594046	Samolepící značka - šipka REDFOX
402590708	Regulační knoflík RF-900 mat E
401540000	Piezozapalovač
402008100	Kabel zapalovací vysokonapěťový R2,2-L800-R3,9
402008200	Kabel k mikrospínači BR
402503200	Termostat pracovní 60-324°C BR
402511200	Termostat pojistný 360°C 1 fáz. PT, BR-G
404050350	Násobič napětí BR 120
404530300	Svíčka zapalovací BR 90
404050310	Termočlánek 500mm M9x1 (BR)
404510010	Ventil plynový 820 NOVA BR 120
404000002	Hořáček pilotní 3 plameny BR 120
401500610	Spínač koncový BR - ovl.tyčkou
402005023	Vnitřní kabeláž H23
404000050	Hořák BRG 12 kW

ROZMĚROVÝ NÁČRTEK S PŘÍPOJNÝMI BODY

BR-70/80 G(/N)

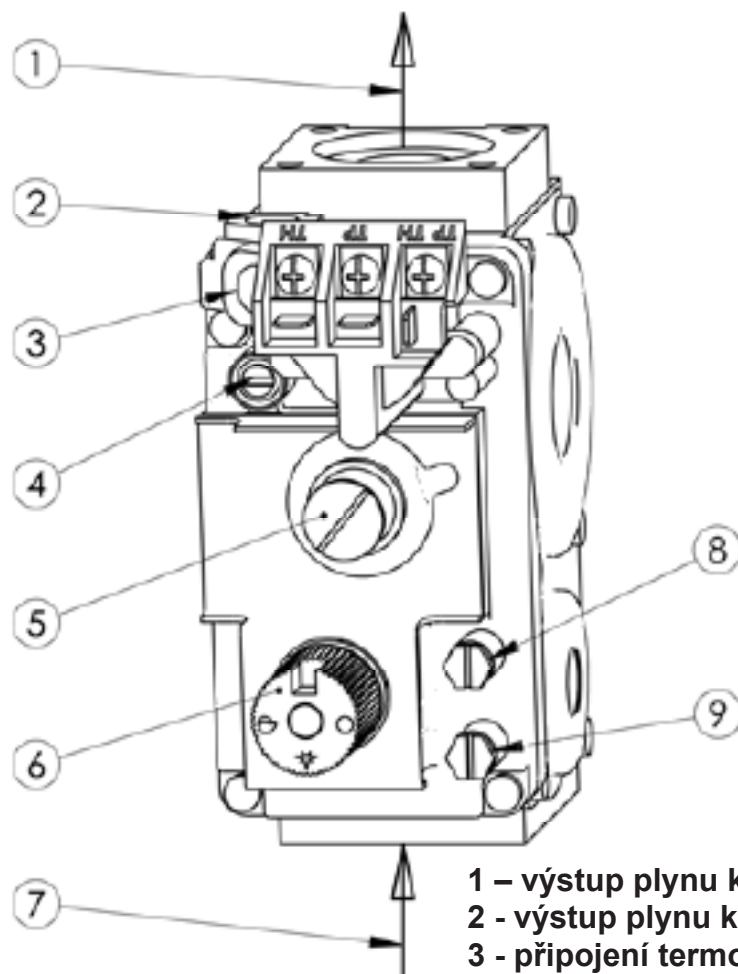


PILOTNÍ HOŘÁK



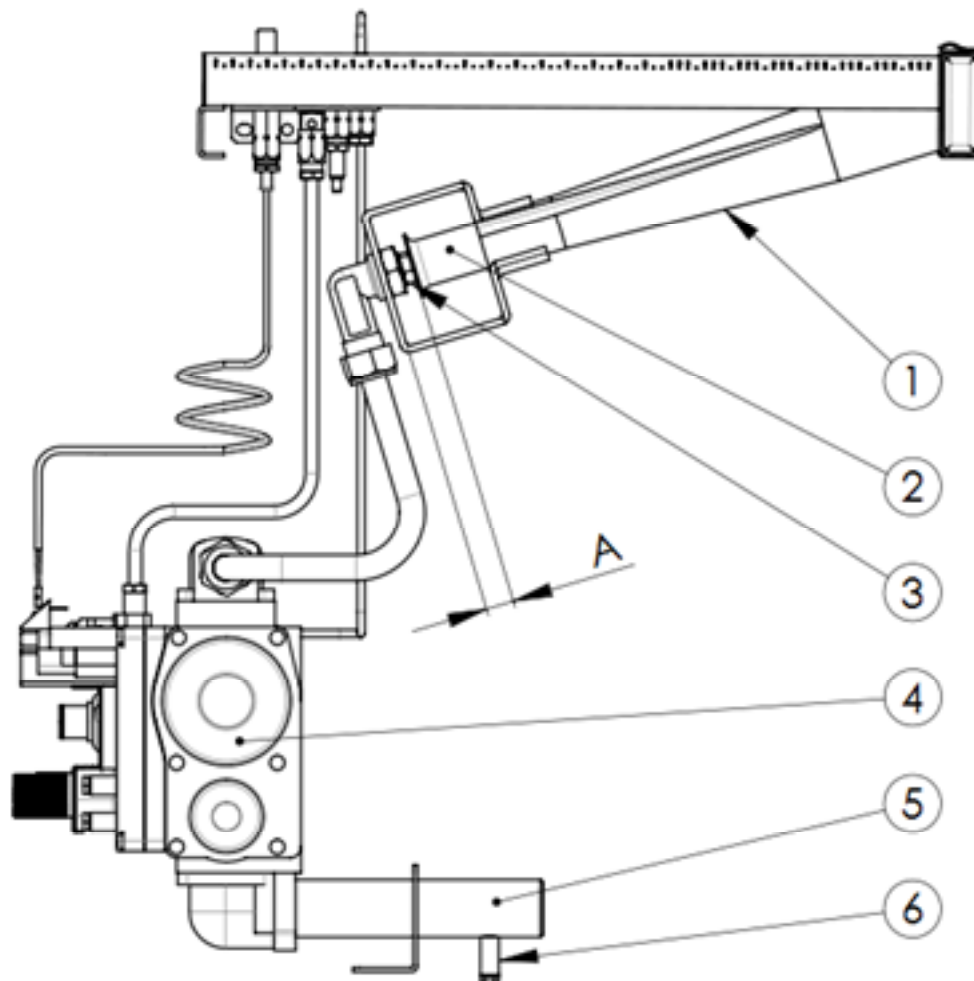
- 1 - pilotní hořák 4 - termobaterie
2 - termočlánek 5 - tryska pilotního hořáku

PLYNOVÝ VENTIL



- 1 – výstup plynu k hlavnímu hořáku
2 – výstup plynu k pilotnímu hořáku
3 – připojení termočlátku
4 – seřizovací šroub příkonu pilotního hořáku
5 – krytka seřízení regulátoru tlaku hl. hořáku
6 – ovládací knoflík
7 – vstup plynu
8 – kontrolní bod výstupního tlaku plynu
9 – kontrolní bod vstupního tlaku plynu

PLYNOVÝ VENTIL, TRYSKY A HOŘÁKY



- 1 – hlavní hořák
- 2 – regulace vzduchu
- 3 – tryska
- 4 – plynový ventil
- 5 – přívod plynu
- 6 – kontrolní bod vstupního tlaku plynu

List of service organizations:

CZ: RM GASTRO CZ s. r. o., Náchodská 818/16, Praha 9

Tel. +420 281 926 604, info@rmgastro.cz, www.rmgastro.cz

SK: RM Gastro Slovakia, Rybárska 1, Nové Město nad Váhom

Tel.: +421 32 7717061, obchod@rmgastro.sk, www.rmgastro.sk

PL: RM GASTRO Polska Sp. z o. o., ul. Skoczowska 94, 43-450 Ustroń

Tel.: +33 854 73 26, www.rmgastro.pl